



Owner's Manual

GP Series Portable Generator

**2 YEAR
LIMITED
WARRANTY**



⚠ DANGER!

- ⚠ DEADLY EXHAUST FUMES! ONLY use OUTSIDE far away from windows, doors and vents!**
- ⚠ NOT INTENDED FOR USE IN CRITICAL LIFE SUPPORT APPLICATIONS.**
- ⚠ SAVE this Manual. Provide this manual to any operator of the generator.**

Table of Contents

Introduction.....	1	Maintenance	9
Read this Manual Thoroughly	1	3.1 Maintenance Schedule	9
Safety Rules	1	3.2 Product Specifications.....	9
Standards Index	3	3.2.1 Generator Specifications	9
General Information.....	4	3.2.2 Engine Specifications.....	9
1.1 Unpacking.....	4	3.3 General Recommendations.....	10
1.1.1 Accessory Box.....	4	3.3.1 Generator Maintenance	10
1.2 Assembly.....	4	3.3.2 To Clean the Generator.....	10
1.2.1 Assembling the Accessory Kit.....	4	3.3.3 Engine Maintenance.....	10
Operation	4	3.3.4 Checking Oil Level.....	10
2.1 Know the Generator	4	3.3.5 Changing the Oil.....	10
2.2 Cord Sets and Connection Plugs	6	3.3.6 Replacing the Spark Plug	11
2.2.1 120 VAC, 20 Amp, Duplex Receptacle.....	6	3.3.7 Spark Arrestor.....	11
2.3 How to Use the Generator	6	3.4 Service Air Filter	11
2.3.1 Grounding the Generator	6	3.5 Valve Clearance.....	11
2.3.2 Connecting the Generator to a Building's Electrical System	6	3.6 General	11
2.3.3 Connecting Electrical Loads	6	3.7 Long Term Storage.....	12
2.4 Don't Overload the Generator.....	7	3.8 Other Storage Tips	12
2.5 Wattage Reference Guide	7	Troubleshooting	13
2.6 Before Starting the Generator	7	4.1 Troubleshooting Guide.....	13
2.6.1 Adding Engine Oil.....	7		
2.6.2 Adding Gasoline.....	8		
2.7 To Start the Engine.....	8		
2.8 Stopping the Engine	9		
2.9 Low Oil Level Shutdown System	9		
2.9.1 Sensing Low Oil Level.....	9		

WARNING!

California Proposition 65

Engine exhaust and some of its constituents are known to the state of California to cause cancer, birth defects, and other reproductive harm.

WARNING!

California Proposition 65

This product contains or emits chemicals known to the state of California to cause cancer, birth defects, and other reproductive harm.

INTRODUCTION

Thank you for purchasing this model by Generac Power Systems, Inc. This model is a compact, high performance, air-cooled, engine driven generator designed to supply electrical power to operate electrical loads where no utility power is available or in place of utility due to a power outage.

READ THIS MANUAL THOROUGHLY

If any portion of this manual is not understood, contact the nearest Authorized Dealer for starting, operating and servicing procedures.

The operator is responsible for proper and safe use of the equipment. We strongly recommend that the operator read this manual and thoroughly understand all instructions before using the equipment. We also strongly recommend instructing other users to properly start and operate the unit. This prepares them if they need to operate the equipment in an emergency.

The generator can operate safely, efficiently and reliably only if it is properly located, operated and maintained. Before operating or servicing the generator:

- Become familiar with and strictly adhere to all local, state and national codes and regulations.
- Study all safety warnings in this manual and on the product carefully.
- Become familiar with this manual and the unit before use.

The manufacturer cannot anticipate every possible circumstance that might involve a hazard. The warnings in this manual, and on tags and decals affixed to the unit are, therefore, not all inclusive. If using a procedure, work method or operating technique that the manufacturer does not specifically recommend, ensure that it is safe for others. Also make sure the procedure, work method or operating technique utilized does not render the generator unsafe.

THE INFORMATION CONTAINED HEREIN WAS BASED ON MACHINES IN PRODUCTION AT THE TIME OF PUBLICATION. GENERAC RESERVES THE RIGHT TO MODIFY THIS MANUAL AT ANY TIME.

For any Frequently Asked Questions (FAQs) for your product, please go to: <http://www.generac.com/service-support/faqs>.

SAFETY RULES

Throughout this publication, and on tags and decals affixed to the generator, DANGER, WARNING, CAUTION and NOTE blocks are used to alert personnel to special instructions about a particular operation that may be hazardous if performed incorrectly or carelessly. Observe them carefully. Their definitions are as follows:

⚠ DANGER!

INDICATES A HAZARDOUS SITUATION OR ACTION WHICH, IF NOT AVOIDED, WILL RESULT IN DEATH OR SERIOUS INJURY.

⚠ WARNING!

Indicates a hazardous situation or action which, if not avoided, could result in death or serious injury.

⚠ CAUTION!


Indicates a hazardous situation or action which, if not avoided, could result in minor or moderate injury.

NOTE:

Notes contain additional information important to a procedure and will be found within the regular text body of this manual.

These safety warnings cannot eliminate the hazards that they indicate. Common sense and strict compliance with the special instructions while performing the action or service are essential to preventing accidents.

Four commonly used safety symbols accompany the **DANGER**, **WARNING** and **CAUTION** blocks. The type of information each indicates is as follows:

 **This symbol points out important safety information that, if not followed, could endanger personal safety and/or property of others.**

 **This symbol points out potential explosion hazard.**

 **This symbol points out potential fire hazard.**

 **This symbol points out potential electrical shock hazard.**

Safety Rules



GENERAL HAZARDS

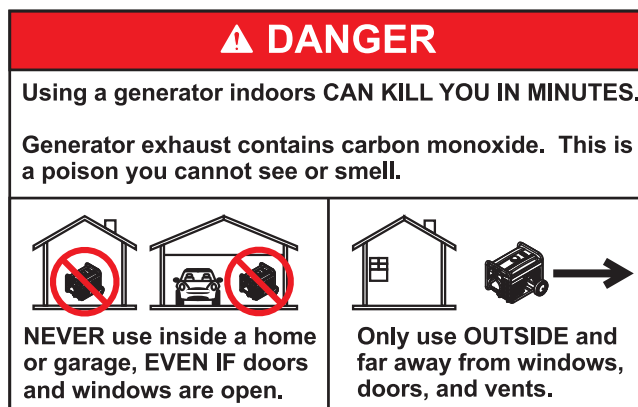
- NEVER operate in an enclosed area, in a vehicle, or indoors EVEN IF doors and windows are open.
- For safety reasons, the manufacturer recommends that the maintenance of this equipment is carried out by an Authorized Dealer. Inspect the generator regularly, and contact the nearest Authorized Dealer for parts needing repair or replacement.
- Operate generator only on level surfaces and where it will not be exposed to excessive moisture, dirt, dust or corrosive vapors.
- Keep hands, feet, clothing, etc., away from drive belts, fans, and other moving parts. Never remove any fan guard or shield while the unit is operating.
- Certain parts of the generator get extremely hot during operation. Keep clear of the generator until it has cooled to avoid severe burns.
- Do NOT operate generator in the rain.
- Do not alter the construction of the generator or change controls which might create an unsafe operating condition.
- Never start or stop the unit with electrical loads connected to receptacles AND with connected devices turned ON. Start the engine and let it stabilize before connecting electrical loads. Disconnect all electrical loads before shutting down the generator.
- Do not insert objects through unit's cooling slots.
- When working on this equipment, remain alert at all times. Never work on the equipment when physically or mentally fatigued.
- Never use the generator or any of its parts as a step. Stepping on the unit can stress and break parts, and may result in dangerous operating conditions from leaking exhaust gases, fuel leakage, oil leakage, etc.

NOTE:

This generator is equipped with a spark arrestor muffler. The spark arrestor must be maintained in effective working order by the owner/ operator. In the State of California, a spark arrestor is required by law (Section 4442 of the California Public Resources Code). Other states may have similar laws. Federal laws apply on federal lands.

EXHAUST & LOCATION HAZARDS

- Never operate in an enclosed area or indoors! NEVER use in the home, in a vehicle, or in partly enclosed areas such as garages, EVEN IF doors and windows are open! ONLY use outdoors and far from open windows, doors, vents, and in an area that will not accumulate deadly exhaust.



- The engine exhaust fumes contain carbon monoxide, which you cannot see or smell. This poisonous gas, if breathed in sufficient concentrations, can cause unconsciousness or even death.
- Adequate, unobstructed flow of cooling and ventilating air is critical to correct generator operation. Do not alter the installation or permit even partial blockage of ventilation provisions, as this can seriously affect safe operation of the generator. The generator MUST be operated outdoors.
- This exhaust system must be properly maintained. Do nothing that might render the exhaust system unsafe or in noncompliance with any local codes and/or standards.
- Always use a battery operated carbon monoxide alarm indoors, installed according to the manufacturer's instructions.
- If you start to feel sick, dizzy, or weak after the generator has been running, move to fresh air IMMEDIATELY. See a doctor, as you could have carbon monoxide poisoning.

ELECTRICAL HAZARDS

- The generator produces dangerously high voltage when in operation. Avoid contact with bare wires, terminals, connections, etc., while the unit is running, even on equipment connected to the generator. Ensure all appropriate covers, guards and barriers are in place before operating the generator.
- Never handle any kind of electrical cord or device while standing in water, while barefoot or while hands or feet are wet. **DANGEROUS ELECTRICAL SHOCK MAY RESULT.**
- The National Electric Code (NEC) requires the frame and external electrically conductive parts of the generator be properly connected to an approved earth ground. Local electrical codes may also require proper grounding of the generator. Consult with a local electrician for grounding requirements in the area.
- Use a ground fault circuit interrupter in any damp or highly conductive area (such as metal decking or steel work).

- Do not use worn, bare, frayed or otherwise damaged electrical cord sets with the generator.
- Before performing any maintenance on the generator, disconnect the engine starting battery (if equipped) to prevent accidental start up. Disconnect the cable from the battery post indicated by a NEGATIVE, NEG or (-) first. Reconnect that cable last.
- In case of accident caused by electric shock, immediately shut down the source of electrical power. If this is not possible, attempt to free the victim from the live conductor. **AVOID DIRECT CONTACT WITH THE VICTIM.** Use a non-conducting implement, such as a rope or board, to free the victim from the live conductor. If the victim is unconscious, apply first aid and get immediate medical help.

FIRE HAZARDS

- **Gasoline is highly FLAMMABLE and its vapors are EXPLOSIVE. Do not permit smoking, open flames, sparks or heat in the vicinity while handling gasoline.**
- Never add fuel while unit is running or hot. Allow engine to cool completely before adding fuel.
- **Never fill fuel tank indoors.** Comply with all laws regulating storage and handling of gasoline.
- **Do not overfill the fuel tank. Always allow room for fuel expansion.** If tank is over-filled, fuel can overflow onto a hot engine and cause FIRE or an EXPLOSION. Never store generator with fuel in tank where gasoline vapors might reach an open flame, spark or pilot light (as on a furnace, water heater or clothes dryer). FIRE or EXPLOSION may result. Allow unit to cool entirely before storage.
- Wipe up any fuel or oil spills immediately. Ensure that no combustible materials are left on or near the generator. Keep the area surrounding the generator clean and free from debris and keep a clearance of five (5) feet on all side to allow for proper ventilation of the generator.
- Do not insert objects through unit's cooling slots.
- **Do not** operate the generator if connected electrical devices overheat, if electrical output is lost, if engine or generator sparks or if flames or smoke are observed while unit is running.
- Keep a fire extinguisher near the generator at all times.

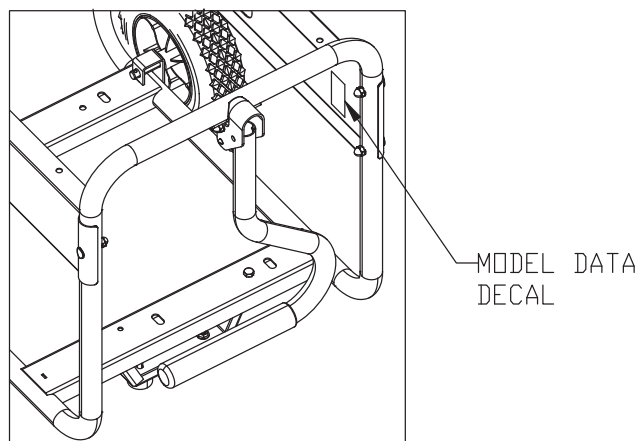
STANDARDS INDEX

1. National Fire Protection Association (NFPA) 70: The NATIONAL ELECTRIC CODE (NEC) available from www.nfpa.org
2. National Fire Protection Association (NFPA) 5000: BUILDING CONSTRUCTION AND SAFETY CODE available from www.nfpa.org
3. International Building Code available from www.iccsafe.org
4. Agricultural Wiring Handbook available from www.nerc.org, Rural Electricity Resource Council P.O. Box 309 Wilmington, OH 45177-0309
5. ASAE EP-364.2 Installation and Maintenance of Farm Standby Electric Power available from www.asabe.org, American Society of Agricultural & Biological Engineers 2950 Niles Road, St. Joseph, MI 49085

This list is not all inclusive. Check with the Authority Having Local Jurisdiction (AHJ) for any local codes or standards which may be applicable to your jurisdiction.

MODEL NO:	
SERIAL NO:	

Unit ID Location



General Information

1.1 UNPACKING

- Remove all packaging material.
- Remove separate accessory box.
- Remove the generator from carton.

1.1.1 ACCESSORY BOX

Check all contents. If any parts are missing or damaged, locate an authorized dealer at 1-888-436-3722.

- 1 - Owner's Manual
- 1 - Oil SAE 30
- 2 - 7" Wheels
- 1 - Handle Assembly
- 1 - Handle Bracket
- 1 - Wheel Axle
- 1 - Hardware Bag (containing the following):
 - 2 - Rubber bumpers
 - 2 - Bumper Brackets
 - 2 - M12 Flat Washers
 - 5 - M6-1 x 40 Flange Bolts
 - 7 - M6 Flange Nuts
 - 2 - Cotter Pins
 - 2 - Hubs
 - 2 - M6-1.0 x 16 Flange Bolts

1.2 ASSEMBLY

The generator requires some assembly prior to using it. If problems arise when assembling the generator, please call the Generator Helpline at 1-888-436-3722.

1.2.1 ASSEMBLING THE ACCESSORY KIT

The wheels are designed to greatly improve the portability of the generator.

NOTE:

The wheels are not intended for over-the-road-use.

1. Refer to Figure 1 to install the wheels as shown.
 - Slide the axle through the frame brackets.
 - Slide on the hub, wheel and flat washer, then insert the cotter pin through the wheel axle hole.
 - Bend the cotter pin tabs outward to lock the pin in place.
2. Refer to Figure 1 to install the rubber bumpers as shown.
 - Insert an M6 bolt through the rubber bumper and the bottom of the bumper bracket. Secure the bolt with an M6 flange nut.
 - Install an M6 bolt through the generator frame and through top of the bumper bracket. Secure the bolt with an M6 flange nut.
3. Refer to Figure 2 to install the handle assembly as shown.
 - Insert the handle bracket onto the generator frame and secure with two M6 bolts and two M6 flange nuts.
 - Align the handle assembly holes with the handle bracket holes and secure with one M6 bolt and one M6 flange nut.

To properly install the accessory kit, the following tools are needed:

- Pliers
- 8 mm Box Wrench
- 10 mm Box Wrench

Figure 1 – Wheel Assembly

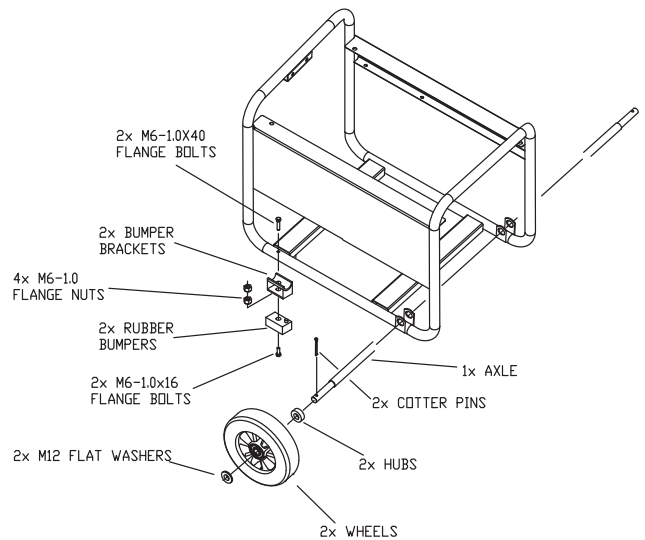
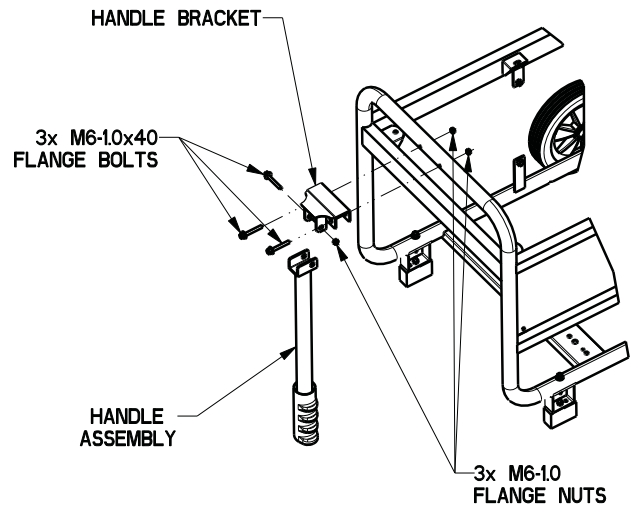


Figure 2 – Handle Kit



2.1 KNOW THE GENERATOR

Read the Owner's Manual and Safety Rules before operating this generator.

Compare the generator to Figures 3 through 6 to become familiarized with the locations of various controls and adjustments. Save this manual for future reference.

1. **120 Volt AC, 20 Amp, GFCI Receptacle** – Supplies electrical power for the operation of 120 Volt AC, 20 Amp, single-phase, 60 Hz electrical lighting, appliance, tool and motor loads. It also provides protection with an Integral Ground Fault Circuit Interrupter with press to "Test" and "Reset" buttons.
2. **Circuit Breakers (AC)** – Each receptacle is provided with a 13.5A push-to-reset circuit breaker to protect the generator against electrical overload.

3. **Air Filter** – Filters intake air as it is drawn into the engine.
4. **Choke Knob** – Used when starting a cold engine.
5. **Fuel Tank** – Tank holds 4 U.S. gallons of fuel.
6. **Grounding Lug** – Ground the generator to an approved earth ground here. See "Grounding the Generator" for details.
7. **ON/OFF Switch** – Controls the operation of the generator.
8. **Muffler** – Quiets the engine.
9. **Handle** – Pivot and retract for storage.
10. **Gas Cap** – Fuel fill location.
11. **Fuel Gauge** – Shows fuel level in tank.
12. **Oil Check/Fill** – Check and fill oil here.
13. **Recoil Starter** – Use to start engine manually.
14. **Fuel Shut Off** – Valve between fuel tank and carburetor.
15. **Oil Drain Plug** – Used to drain engine oil.
16. **Spark Arrestor** – Reduces fire hazard by containing sparks.
17. **Roll Over Valve** – Passes fuel vapors to the carbon canister.
18. **Carbon Canister** – Absorbs fuel tank vapors.
19. **Recovery Hose** – Installed between items 17 & 18.

Figure 3 - Control Panel



Figure 4 - Generator Controls



Figure 5 - Generator Controls



Figure 6 - Generator Controls



2.2 CORD SETS AND CONNECTION PLUGS

2.2.1 120 VAC, 20 AMP, DUPLEX RECEPTACLE

This is a 120 Volt outlet protected against overload by a 13.5 Amp push-to-reset circuit breaker (Figure 6). 13.5 Amps of current may be drawn from each socket, however, total power drawn must be kept within data plate ratings. Use only high quality, well insulated, 3-wire grounded cord sets rated for 125 Volts at 20 Amps (or greater).

2.3 HOW TO USE THE GENERATOR


If there are any problems operating the generator, please call the generator helpline at 1-888-436-3722.

⚠ DANGER!

- ⚠ Never operate in an enclosed area or indoors! NEVER use in the home, in a vehicle, or in partly enclosed areas such as garages, EVEN IF doors and windows are open! ONLY use outdoors and far from open windows, doors, vents, and in an area that will not accumulate deadly exhaust.**
- ⚠ The engine exhaust fumes contain carbon monoxide, which you cannot see or smell. This poisonous gas, if breathed in sufficient concentrations, can cause unconsciousness or even death.**
- ⚠ Adequate, unobstructed flow of cooling and ventilating air is critical to correct generator operation. Do not alter the installation or permit even partial blockage of ventilation provisions, as this can seriously affect safe operation of the generator. The generator MUST be operated outdoors.**
- ⚠ This exhaust system must be properly maintained. Do nothing that might render the exhaust system unsafe or in noncompliance with any local codes and/or standards.**
- ⚠ Always use a battery operated carbon monoxide alarm indoors, installed according to the manufacturers instructions.**

⚠ DANGER

Using a generator indoors CAN KILL YOU IN MINUTES.
Generator exhaust contains carbon monoxide. This is a poison you cannot see or smell.

 NEVER use inside a home or garage, EVEN IF doors and windows are open.	 Only use OUTSIDE and far away from windows, doors, and vents.
--	---

2.3.1 GROUNDING THE GENERATOR

This generator has an equipment ground that connects the generator frame components to the ground terminals on the AC output receptacles (see NEC 250.34 (A) for explanation). This allows the generator to be used as a portable without grounding the frame of the generator as specified in NEC 250.34.

2.3.1.1 SPECIAL REQUIREMENTS

There may be Federal or State Occupational Safety and Health Administration (OSHA) regulations, local codes, or ordinances that apply to the intended use of the generator.

Please consult a qualified electrician, electrical inspector, or the local agency having jurisdiction:

In some areas, generators are required to be registered with local utility companies.

If the generator is used at a construction site, there may be additional regulations which must be observed.

2.3.2 CONNECTING THE GENERATOR TO A BUILDING'S ELECTRICAL SYSTEM

When connecting directly to a building's electrical system, it is recommended that a manual transfer switch is used. Connections for a portable generator to a building's electrical system must be made by a qualified electrician and in strict compliance with all national and local electrical codes and laws.

Figure 7 - Grounding the Generator



2.3.3 CONNECTING ELECTRICAL LOADS

DO NOT connect 240 Volt loads to 120 Volt receptacles. **DO NOT** connect 3-phase loads to the generator. **DO NOT** connect 50 Hz loads to the generator.

- Let engine stabilize and warm up for a few minutes after starting.
- Plug in and turn on the desired 120 or 240 Volt AC, single phase, 60 Hz electrical loads.
- Add up the rated watts (or amps) of all loads to be connected at one time. This total should not be greater than (a) the rated wattage/ampere capacity of the generator or (b) circuit breaker rating of the receptacle supplying the power. See "Don't Overload the Generator".

2.4 DON'T OVERLOAD THE GENERATOR

Overloading a generator in excess of its rated wattage capacity can result in damage to the generator and to connected electrical devices. Observe the following to prevent overloading the unit:

- Add up the total wattage of all electrical devices to be connected at one time. This total should NOT be greater than the generator's wattage capacity.
 - The rated wattage of lights can be taken from light bulbs. The rated wattage of tools, appliances and motors can usually be found on a data label or decal affixed to the device.
 - If the appliance, tool or motor does not give wattage, multiply volts times ampere rating to determine watts (volts x amps = watts).
 - Some electric motors, such as induction types, require about three times more watts of power for starting than for running. This surge of power lasts only a few seconds when starting such motors. Make sure to allow for high starting wattage when selecting electrical devices to connect to the generator:
 1. Figure the watts needed to start the largest motor.
 2. Add to that figure the running watts of all other connected loads.
- The Wattage Reference Guide is provided to assist in determining how many items the generator can operate at one time.

NOTE:

All figures are approximate. See data label on appliance for wattage requirements.

2.5 WATTAGE REFERENCE GUIDE

Device	Running Watts
*Air Conditioner (12,000 Btu)	1700
*Air Conditioner (24,000 Btu)	3800
*Air Conditioner (40,000 Btu)	6000
Battery Charger (20 Amp)	500
Belt Sander (3")	1000
Chain Saw	1200
Circular Saw (6-1/2")	800 to 1000
*Clothes Dryer (Electric)	5750
*Clothes Dryer (Gas)	700
*Clothes Washer	1150
Coffee Maker	1750
*Compressor (1 HP)	2000
*Compressor (3/4 HP)	1800
*Compressor (1/2 HP)	1400
Curling Iron	700
*Dehumidifier	650
Disc Sander (9")	1200
Edge Trimmer	500
Electric Blanket	400
Electric Nail Gun	1200
Electric Range (per element)	1500
Electric Skillet	1250
*Freezer	700
*Furnace Fan (3/5 HP)	875
*Garage Door Opener	500 to 750
Hair Dryer	1200
Hand Drill	.250 to 1100
Hedge Trimmer	450
Impact Wrench	500

Iron	1200
*Jet Pump	800
Lawn Mower	1200
Light Bulb	100
Microwave Oven	700 to 1000
*Milk Cooler	1100
Oil Burner on Furnace	300
Oil Fired Space Heater (140,000 Btu)	400
Oil Fired Space Heater (85,000 Btu)	225
Oil Fired Space Heater (30,000 Btu)	150
*Paint Sprayer, Airless (1/3 HP)	600
Paint Sprayer, Airless (handheld)	150
Radio	.50 to 200
*Refrigerator	700
Slow Cooker	200
*Submersible Pump (1-1/2 HP)	2800
*Submersible Pump (1 HP)	2000
*Submersible Pump (1/2 HP)	1500
*Sump Pump	.800 to 1050
*Table Saw (10")	1750 to 2000
Television	200 to 500
Toaster	1000 to 1650
Weed Trimmer	500

* Allow 3 times the listed watts for starting these devices.

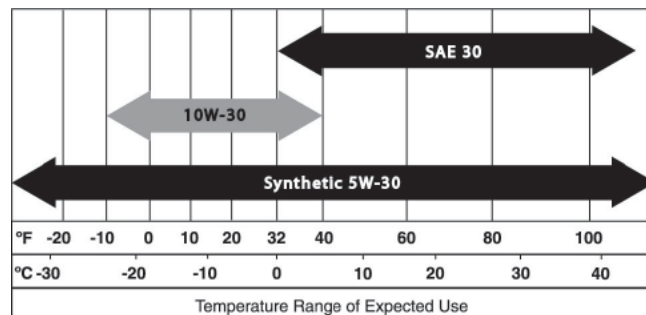
2.6 BEFORE STARTING THE GENERATOR

Prior to operating the generator, engine oil and gasoline will need to be added, as follows:

2.6.1 ADDING ENGINE OIL

All oil should meet minimum American Petroleum Institute (API) Service Class SJ, SL or better. Use no special additives. Select the oil's viscosity grade according to the expected operating temperature (also see chart).

- Above 32 °F (0 °C), use SAE 30
- Between 40 °F and -10 °F (4 and -32 °C), use 10W-30
- Synthetic 5W-30 for all temperature ranges



⚠ CAUTION!

⚠ Any attempt to crank or start the engine before it has been properly serviced with the recommended oil may result in an engine failure.

Operation

1. Place generator on a level surface (not to exceed 15° in any direction).
2. Clean area around oil fill and remove oil fill cap and dipstick.
3. Wipe dipstick clean.
4. Slowly fill engine with oil through the oil fill opening until it reaches the full mark on the dipstick. Stop filling occasionally to check oil level. **Be careful not to over fill.**
5. Install oil fill cap and finger tighten securely.
6. Check engine oil level before starting each time thereafter.

2.6.2 ADDING GASOLINE

⚠ DANGER!

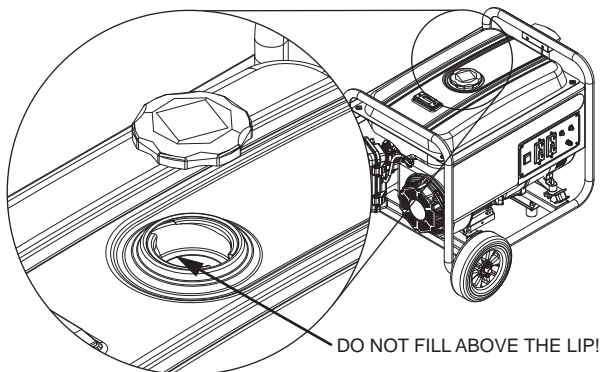
⚠ Never fill fuel tank indoors. Never fill fuel tank when engine is running or hot. Allow engine to cool entirely before filling fuel tank. Avoid spilling gasoline on HOT engine. DO NOT light a cigarette or smoke when filling the fuel tank. Gasoline is highly flammable and its vapors are explosive.

⚠ CAUTION!

⚠ Do not overfill the fuel tank. Always leave room for fuel expansion. If the fuel tank is overfilled, fuel can overflow onto a HOT engine and cause FIRE or EXPLOSION.

1. Use regular UNLEADED gasoline with the generator engine. Do not use any gasoline with more than 10% added Ethanol, and never use E85 gasoline. Do not mix oil with gasoline.
2. Clean area around fuel fill cap, remove cap.
3. Slowly add unleaded regular gasoline to fuel tank. **Be careful not to overfill** (Figure 8).
4. Install fuel cap and wipe up any spilled gasoline.

Figure 8 - Fuel Tank



IMPORTANT: It is important to prevent gum deposits from forming in fuel system parts such as the carburetor, fuel hose or tank during storage. Alcohol-blended fuels (called gasohol, ethanol or methanol) can attract moisture, which leads to separation and formation of acids during storage. Acidic gas can damage the fuel system of an engine while in storage. To avoid engine problems, the fuel system should be emptied before storage of 30 days or longer. See the "Storage" section. Never use engine or carburetor cleaner products in the fuel tank as permanent damage may occur.

2.7 TO START THE ENGINE

⚠ WARNING!

⚠ Never start or stop engine with electrical devices plugged into the receptacles AND devices turned on.

1. Unplug all electrical loads from the unit's receptacles before starting the engine.
2. Make sure the unit is in a level position (not to exceed 15° in any direction).
3. Turn the Fuel Shut-off Valve to the "ON" position (Figure 9).
4. Turn engine ON/OFF switch to ON position (Figure 9).
5. Move engine CHOKE lever to the START position (Figure 10).
6. To start engine, firmly grasp the recoil handle and pull slowly until increased resistance is felt. Pull rapidly up and away.
7. When engine starts, move choke lever to 1/2-CHOKE position until engine runs smoothly and then fully into RUN position. If engine falters, move choke back out to 1/2-CHOKE position until engine runs smoothly and then to RUN position.

NOTE:

If engine fires, but does not continue to run, move choke lever to the START position and repeat starting instructions.

Figure 9 - Fuel Shut-off Valve



Figure 10 - Choke Position



IMPORTANT: Do not overload the generator. Also, do not overload individual panel receptacles. These outlets are protected against overload with push-to-reset-type circuit breakers. If amperage rating of any circuit breaker is exceeded, that breaker opens and electrical output to that receptacle is lost. Read “Don’t Overload the Generator” carefully.

2.8 STOPPING THE ENGINE

1. Shut off all loads, then unplug the electrical loads from generator panel receptacles. Never start or stop the engine with electrical devices plugged in and turned on.
2. Let engine run at no-load for several minutes to stabilize the internal temperatures of engine and generator.
3. Move ON/OFF switch to OFF position.
4. Close fuel valve.

2.9 LOW OIL LEVEL SHUTDOWN SYSTEM

The engine is equipped with a low oil level sensor that shuts down the engine automatically when the oil level drops below a specified level. If the engine shuts down by itself and the fuel tank has enough gasoline, check engine oil level.

2.9.1 SENSING LOW OIL LEVEL

If the system senses a low oil level during operation, the engine shuts down. The engine will not run until the oil has been refilled to the proper level.

3.1 MAINTENANCE SCHEDULE

Follow the calendar intervals. More frequent service is required when operating in adverse conditions noted below.

Check Oil Level	At Each Use
Change Oil ⁺	*Every Season
Check Valve Clearance	***Every Season
Service Air Filter	**Every Season
Replace Spark Plug	Every Season

⁺ Change oil after first 20 hours of operation, then every season.

* Change oil every month when operating under heavy load or in high temperatures.

** Clean more often under dirty or dusty operating conditions. Replace air filter parts if they cannot be adequately cleaned.

*** Check valve clearance and adjust if necessary after first 50 hours of operation and every 100 hours thereafter.

3.2 PRODUCT SPECIFICATIONS

3.2.1 GENERATOR SPECIFICATIONS

Rated. Power.....	3.25 kW**
Surge Power.....	3.75 kW
Rated AC Voltage.....	120
Rated Current.....	27 Amps**
Rated Frequency.....	60 Hz @ 3600 RPM
Phase	Single Phase

** Maximum wattage is subject to, and limited by, such factors as fuel Btu content, ambient temperature, altitude, engine condition, etc.. Maximum power decreases about 3.5% for each 1,000 feet above sea level; and will also decrease about 1% for each 10 °F (6 °C) above 60 °F (16 °C) ambient temperature.

3.2.2 ENGINE SPECIFICATIONS

Displacement.....	208 cc
Spark Plug Type.....	F6TC, NGK BPR4ES or Champion RN14YC
Spark Plug Gap.....	0.028-0.031 inch or (0.70-0.80 mm)
Gasoline Capacity	4 U.S. gallons (15.14 L)
Oil Type.....	See Chart in "Before Starting the Generator" Section
Oil Capacity	0.634 Qts. (0.6 L)
Run Time.....	12.5 Hours at 1/2 Load
Operating Temperature Range	0 °F (-17 °C) to 110 °F (43 °C)*

* When operating above 77 °F (25 °C) there may be a decrease in power.

Maintenance

3.3 GENERAL RECOMMENDATIONS

The warranty of the generator does not cover items that have been subjected to operator abuse or negligence. To receive full value from the warranty, the operator must maintain the generator as instructed in this manual.

Some adjustments will need to be made periodically to properly maintain the generator.

All adjustments in the Maintenance section of this manual should be made at least once each season. Follow the requirements in the "Maintenance Schedule".

NOTE:

Once a year replace the spark plug and replace the air filter. A new spark plug and clean air filter assure proper fuel-air mixture and help the engine run better and last longer.

3.3.1 GENERATOR MAINTENANCE

Generator maintenance consists of keeping the unit clean and dry. Operate and store the unit in a clean dry environment where it will not be exposed to excessive dust, dirt, moisture or any corrosive vapors. Cooling air slots in the generator must not become clogged with snow, leaves, or any other foreign material.

Check the cleanliness of the generator frequently and clean when dust, dirt, oil, moisture or other foreign substances are visible on its exterior surface.

⚠ CAUTION!

⚠ Never insert any object or tool through the air cooling slots, even if the engine is not running.

NOTE:

DO NOT use a garden hose to clean generator. Water can enter the engine fuel system and cause problems. In addition, if water enters the generator through cooling air slots, some water will be retained in voids and crevices of the rotor and stator winding insulation. Water and dirt buildup on the generator internal windings will eventually decrease the insulation resistance of these windings.

3.3.2 TO CLEAN THE GENERATOR

- Use a damp cloth to wipe exterior surfaces clean.
- A soft, bristle brush may be used to loosen caked on dirt, oil, etc.
- A vacuum cleaner may be used to pick up loose dirt and debris.
- Low pressure air (not to exceed 25 psi) may be used to blow away dirt. Inspect cooling air slots and openings on the generator. These openings must be kept clean and unobstructed.

3.3.3 ENGINE MAINTENANCE

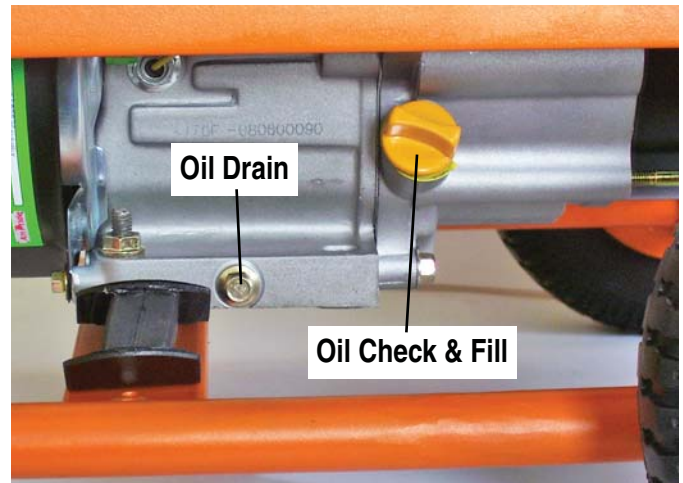
⚠ DANGER!

⚠ When working on the generator, always disconnect spark plug wire from spark plug and keep wire away from spark plug.

3.3.4 CHECKING OIL LEVEL

See the "Before Starting the Generator" section for information on checking the oil level. The oil level should be checked before each use, or at least every eight hours of operation. Keep the oil level maintained (Figure 11).

Figure 11 - Oil Drain, Check & Fill



3.3.5 CHANGING THE OIL

Change the oil after the first 20 hours of operation, then every season. If running this unit under dirty or dusty conditions, or in extremely hot weather, change the oil more often.

⚠ CAUTION!

⚠ Hot oil may cause burns. Allow engine to cool before draining oil. Avoid prolonged or repeated skin exposure with used oil. Thoroughly wash exposed areas with soap.

Use the following instructions to change the oil after the engine cools down:

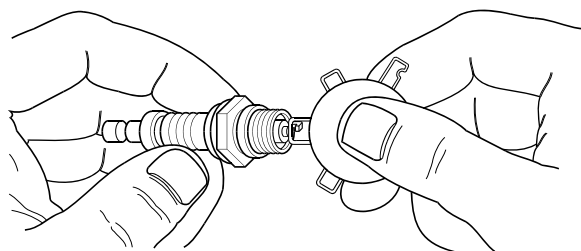
1. Clean area around oil drain plug.
2. Remove oil drain plug from engine and oil fill plug to drain oil completely into a suitable container.
3. When oil has completely drained, install oil drain plug and tighten securely.
4. Fill engine with recommended oil. (See "Before Starting the Generator" for oil recommendations).
5. Wipe up any spilled oil.
6. Dispose of used oil at a proper collection center.

3.3.6 REPLACING THE SPARK PLUG

Use spark plug F6TC, NGK BPR4ES or Champion RN14YC. **Replace the plug once each year.** This will help the engine start easier and run better.

1. Stop the engine and pull the spark plug wire off of the spark plug.
2. Clean the area around the spark plug and remove it from the cylinder head.
3. Set the spark plug's gap to 0.70-0.80 mm (0.028-0.031 in). Install the correctly gapped spark plug into the cylinder head and torque to 15 ft/lbs. (Figure 12).

Figure 12 - Spark Plug Gap



3.3.7 SPARK ARRESTOR

1. Shut off generator and allow the engine and muffler to cool down completely before servicing spark arrestor (located on the back of the muffler).
2. Remove the clamp and spark arrestor screen.
3. Clean the spark arrestor screen with a small wire brush.
4. Replace the spark arrestor if it is damaged.
5. Installation of the spark arrestor screen is the reverse of the removal.

3.4 SERVICE AIR FILTER

The engine will not run properly and may be damaged if using a dirty air filter. Clean the air filter once a year (Figure 13). Clean or replace more often if operating under dusty conditions.

1. Remove air filter cover.
2. Wash in soapy water. Squeeze filter dry in clean cloth (DO NOT TWIST).
3. Clean air filter cover before re-installing it.

Figure 13 - Air Filter



3.5 VALVE CLEARANCE

- Intake — 0.10 ± 0.02 mm (cold), (0.004" ± 0.001" in)
- Exhaust — 0.15 ± 0.02 mm (cold) (0.006" ± 0.001" in)

After the first 50 hours of operation, check the valve clearance in the engine and adjust if necessary.

Important: If feeling uncomfortable about doing this procedure or the proper tools are not available, please take the generator to the nearest service center to have the valve clearance adjusted. This is a very important step to ensure longest life for the engine.

3.6 GENERAL

The generator should be started at least once every 30 days and be allowed to run at least 30 minutes. If this cannot be done and the unit must be stored for more than 30 days, use the following information as a guide to prepare it for storage.

⚠ DANGER!

NEVER store engine with fuel in tank indoors or in enclosed, poorly ventilated areas where fumes may reach an open flame, spark or pilot light as on a furnace, water heater, clothes dryer or other gas appliance.

3.7 LONG TERM STORAGE

It is important to prevent gum deposits from forming in essential fuel system parts such as the carburetor, fuel hose or tank during storage. Also, experience indicates that alcohol-blended fuels (called gasohol, ethanol or methanol) can attract moisture, which leads to separation and formation of acids during storage. Acidic gas can damage the fuel system of an engine while in storage.

To avoid engine problems, the fuel system should be emptied before storage of 30 days or longer, as follows:


1. Remove all gasoline from the fuel tank. Use a commercially available, non-conductive vacuum siphon.

DANGER!

 **Drain fuel into approved container outdoors, away from open flame. Be sure engine is cool. Do not smoke.**

2. Start and run engine until engine stops from lack of fuel.
3. Drain oil from crankcase after the engine cools down. Refill with recommended grade.
4. Remove the spark plug and pour about 1/2 oz (15 ml) of engine oil into the cylinder. Cover spark plug hole with rag. Pull the recoil starter a couple times to lubricate the piston rings and cylinder bore.

CAUTION!

 **Avoid spray from spark plug hole when cranking engine.**

5. Install and tighten spark plugs. Do not connect spark plug wire.
6. Clean the generator outer surfaces. Check that cooling air slots and openings on generator are open and unobstructed.
7. Store the unit in a clean, dry place

3.8 OTHER STORAGE TIPS

- Do not store gasoline from one season to another.
- Replace the gasoline can if it starts to rust. Rust and/or dirt in the gasoline will cause problems with the carburetor and fuel system.
- If possible, store the unit indoors and cover it to give protection from dust and dirt. **BE SURE TO EMPTY THE FUEL TANK.**
- If it is not practical to empty the fuel tank and the unit is to be stored for some time, use a commercially available fuel stabilizer added to the gasoline to increase the life of the gasoline.
- Cover the unit with a suitable protective cover that does not retain moisture.

DANGER!

 **NEVER cover the generator while engine and exhaust areas are warm.**

4.1 TROUBLESHOOTING GUIDE

PROBLEM	CAUSE	CORRECTION
Engine is running, but no AC output is available.	<ol style="list-style-type: none"> 1. Circuit breaker is open. 2. Poor connection or defective cord set. 3. Connected device is bad. 4. Fault in generator. 5. 120V GFCI tripped (no light). 	<ol style="list-style-type: none"> 1. Reset circuit breaker. 2. Check and repair. 3. Connect another device that is in good condition. 4. Contact Authorized Service Facility. 5. Reset 120V GFCI push button (light is on).
Engine runs well but bogs down when loads are connected.	<ol style="list-style-type: none"> 1. Short circuit in a connected load. 2. Generator is overloaded. 3. Engine speed is too slow. 4. Shorted generator circuit. 	<ol style="list-style-type: none"> 1. Disconnect shorted electrical load. 2. See "Don't Overload the Generator". 3. Contact Authorized Service Facility. 4. Contact Authorized Service Facility.
Engine will not start; or starts and runs rough.	<ol style="list-style-type: none"> 1. Dirty air filter. 2. Out of gasoline. 3. Stale gasoline. 4. Spark plug wire not connected to spark plug. 5. Bad spark plug. 6. Water in gasoline. 7. Over-choking. 8. Low oil level. 9. Excessive rich fuel mixture. 10. Intake valve stuck open or closed. 11. Engine has lost compression. 	<ol style="list-style-type: none"> 1. Clean or replace air filter. 2. Fill fuel tank. 3. Drain fuel tank and fill with fresh fuel. 4. Connect wire to spark plug. 5. Replace spark plug. 6. Drain fuel tank; fill with fresh fuel. 7. Put choke knob to No Choke position. 8. Fill crankcase to proper level. 9. Contact Authorized Service Facility. 10. Contact Authorized Service Facility. 11. Contact Authorized Service Facility.
Engine shuts down during operation.	<ol style="list-style-type: none"> 1. Out of gasoline. 2. Low oil level. 3. Fault in engine. 	<ol style="list-style-type: none"> 1. Fill fuel tank. 2. Fill crankcase to proper level. 3. Contact Authorized Service Facility.
Engine lacks power.	<ol style="list-style-type: none"> 1. Load is too high. 2. Dirty air filter. 3. Engine needs to be serviced. 	<ol style="list-style-type: none"> 1. See "Don't Overload the Generator". 2. Replace air filter. 3. Contact Authorized Service Facility.
Engine "hunts" or falters.	<ol style="list-style-type: none"> 1. Choke is opened too soon. 2. Carburetor is running too rich or too lean. 	<ol style="list-style-type: none"> 1. Move choke to halfway position until engine runs smoothly. 2. Contact Authorized Service Facility.

Manual del propietario Generador portátil Serie GP

2 AÑOS
GARANTÍA
LIMITADA



⚠ ¡PELIGRO!

- ⚠ ¡EMANACIONES DE ESCAPE MORTALES!
¡Use ÚNICAMENTE EN EXTERIORES, lejos de ventanas, puertas y ventilaciones!
- ⚠ NO ESTÁN DESTINADOS AL USO EN APLICACIONES CRÍTICAS DE SOPORTE A LA VIDA HUMANA.
- ⚠ GUARDE este manual. Proporcione este manual a todos los operadores del generador.

Índice

Introducción	1	Mantenimiento	9
Lea este manual minuciosamente	1	3.1 Programa de mantenimiento.....	9
Reglas de seguridad	1	3.2 Especificaciones del producto.....	9
Índice de normas.....	3	3.2.1 Especificaciones del generador.....	9
Información general	4	3.2.2 Especificaciones del motor.....	9
1.1 Desembalaje.....	4	3.3 Recomendaciones generales.....	10
1.1.1 Caja de accesorios.....	4	3.3.1 Mantenimiento del generador.....	10
1.2 Armado.....	4	3.3.2 Limpieza del generador.....	10
1.2.1 Armado del kit de accesorios.....	4	3.3.3 Mantenimiento del motor.....	10
Funcionamiento	4	3.3.4 Comprobación del nivel de aceite.....	10
2.1 Conozca el generador.....	4	3.3.5 Cambio de aceite.....	10
2.2 Juegos de cordones y enchufes de conexión.....	6	3.3.6 Sustitución de la bujía.....	11
2.2.1 Tomacorriente doble de 120 VCA, 20 A.....	6	3.3.7 Supresor de chispas.....	11
2.3 Cómo usar el generador.....	6	3.4 Servicio del filtro de aire.....	11
2.3.1 Conexión a tierra del generador.....	6	3.5 Luz de válvulas.....	11
2.3.2 Conexión del generador al sistema eléctrico de un edificio.....	6	3.6 General.....	11
2.3.3 Conexión de cargas eléctricas.....	6	3.7 Almacenamiento a largo plazo.....	12
2.4 No sobrecargue el generador.....	7	3.8 Otros consejos sobre el almacenamiento.....	12
2.5 Guía de referencia de potencia en vatios.....	7	Resolución de problemas	13
2.6 Antes de arrancar el generador.....	7	4.1 Guía de resolución de problemas.....	13
2.6.1 Cómo añadir aceite de motor.....	7		
2.6.2 Cómo añadir gasolina.....	8		
2.7 Para arrancar el motor.....	8		
2.8 Parada del motor.....	9		
2.9 Sistema de apagado por nivel de aceite bajo.....	9		
2.9.1 Detección de nivel de aceite bajo.....	9		

¡ADVERTENCIA!

Proposición 65 de California

El escape del motor y algunos de sus componentes son conocidos por el estado de California como causantes de cáncer, defectos congénitos y otros daños reproductivos.

¡ADVERTENCIA!

Proposición 65 de California

Este producto contiene o emite sustancias químicas que son conocidas por el estado de California como causantes de cáncer, defectos congénitos y otros daños reproductivos.

INTRODUCCIÓN

Muchas gracias por haber comprado este modelo de Generac Power Systems, Inc. Este modelo es un generador accionado por motor, compacto, de alto rendimiento y enfriado por aire, diseñado para suministrar alimentación eléctrica para utilizar cargas eléctricas donde no haya alimentación del servicio público disponible o como reemplazo de dicha alimentación debido a una interrupción del servicio público.

LEA ESTE MANUAL MINUCIOSAMENTE

Si una parte de este manual no se comprende, comuníquese con el concesionario autorizado más cercano para los procedimientos de arranque, operación y mantenimiento.

El operador es responsable del uso correcto y seguro del equipo. Recomendamos firmemente que el operador lea este manual y comprenda completamente todas las instrucciones antes de usar el equipo. También recomendamos firmemente instruir a otras personas en el arranque y la operación correctos de la unidad. Esto las prepara en el caso de que deban operar el equipo en una emergencia.

El generador puede funcionar de manera segura, eficiente y fiable solo si es ubicado, operado y mantenido correctamente. Antes de operar o efectuar el mantenimiento del generador:

- Familiarícese con todos los códigos y reglamentos locales, estatales y nacionales, y cúmplalos de manera estricta.
- Estudie minuciosamente todas las advertencias de seguridad indicadas en este manual y en el producto.
- Familiarícese con este manual y la unidad antes del uso.

El fabricante no puede prever todas las circunstancias posibles que podrían involucrar un peligro. Las advertencias de este manual y los rótulos y etiquetas adhesivas fijados en la unidad, por lo tanto, no son exhaustivos. Si usa un procedimiento, método de trabajo o técnica de funcionamiento que el fabricante no recomienda específicamente, asegúrese de que sea seguro para otras personas. Asegúrese también de que el procedimiento, método de trabajo o técnica de funcionamiento utilizado no vuelva inseguro al generador.

LA INFORMACIÓN QUE FIGURA AQUÍ SE BASÓ EN MÁQUINAS QUE ESTABAN EN PRODUCCIÓN EN EL MOMENTO DE PUBLICACIÓN. GENERAC SE RESERVA EL DERECHO DE MODIFICAR ESTE MANUAL EN CUALQUIER MOMENTO.

Para ver las preguntas frecuentes (FAQ) para su producto, vaya a: <http://www.generac.com/service-support/faqs>.

REGLAS DE SEGURIDAD

En toda esta publicación, en los rótulos y en las etiquetas adhesivas fijadas en el generador, los bloques de PELIGRO, ADVERTENCIA, PRECAUCIÓN y NOTA se usan para alertar al personal sobre instrucciones especiales acerca de una operación en particular que puede ser peligrosa si se efectúa de manera incorrecta o imprudente. Obsérvelos cuidadosamente. Sus definiciones son las siguientes:

¡PELIGRO!

INDICA UNA SITUACIÓN O ACCIÓN PELIGROSA QUE, SI NO SE EVITA, OCASIONARÁ LA MUERTE O LESIONES GRAVES.

¡ADVERTENCIA!

Indica una situación o acción peligrosa que, si no se evita, podrá ocasionar la muerte o lesiones graves.

¡PRECAUCIÓN!


Indica una situación o acción peligrosa que, si no se evita, podrá ocasionar lesiones leves o moderadas.

NOTA:

Las notas contienen información adicional importante para un procedimiento y se encuentran dentro del texto del cuerpo de este manual.

Estas advertencias de seguridad no pueden eliminar los peligros que indican. El sentido común y el cumplimiento estricto de las instrucciones especiales mientras se desarrolla la acción o el servicio son esenciales para la prevención de accidentes.

Cuatro símbolos de seguridad usados comúnmente acompañan a los bloques de **PELIGRO**, **ADVERTENCIA** y **PRECAUCIÓN**. Cada uno indica el siguiente tipo de información:

 **Este símbolo señala información de seguridad importante que, si no se respeta, podría poner en peligro la seguridad personal y/o material de terceros.**

 **Este símbolo señala un posible peligro de explosión.**

 **Este símbolo señala un posible peligro de incendio.**

 **Este símbolo señala un posible peligro de choque eléctrico.**

Reglas de seguridad



GENERALIDADES SOBRE PELIGRO

- NUNCA haga funcionar la unidad en una zona confinada, en un vehículo o en interiores, AUN SI las puertas y ventanas están abiertas.
- Por motivos de seguridad, el fabricante recomienda que el mantenimiento de este equipo sea efectuado por un concesionario autorizado. Inspeccione el generador regularmente, y comuníquese con el concesionario autorizado más cercano en relación con las piezas que necesitan reparación o sustitución.
- Use el generador únicamente sobre superficies niveladas y donde no esté expuesto a humedad, suciedad, polvo o vapores corrosivos excesivos.
- Mantenga las manos, pies, ropa, etc. alejados de las correas de transmisión y otras piezas en movimiento. Nunca retire ningún protector o escudo de ventilador mientras la unidad esté funcionando.
- Algunas piezas del generador se calientan en extremo durante el funcionamiento. Manténgase alejado del generador hasta que se haya enfriado para evitar quemaduras graves.
- NO use el generador debajo de la lluvia.
- No modifique la construcción del generador o cambie los controles, ya que podrían generarse condiciones de funcionamiento inseguro.
- Nunca arranque o pare la unidad con cargas eléctricas conectadas a tomacorrientes Y con dispositivos conectados encendidos. Arranque el motor y permita que se establezca antes de conectar cargas eléctricas. Desconecte todas las cargas eléctricas antes de apagar el generador.
- No inserte objetos a través de las ranuras de enfriamiento de la unidad.
- Cuando trabaje en este equipo, manténgase alerta en todo momento. Nunca trabaje en el equipo cuando esté fatigado física o mentalmente.
- Nunca use el generador o cualquiera de sus piezas como un escalón. Pararse sobre la unidad puede forzar y romper piezas y podría ocasionar condiciones de funcionamiento peligrosas por fugas de gases de escape, fugas de combustible, fugas de aceite, etc.

NOTA:

Este generador está equipado con un silenciador supresor de chispas. El supresor de chispas debe ser mantenido en condiciones de trabajo eficaces por el propietario/operador. En el Estado de California, se requiere por ley un supresor de chispas (Sección 4442 del California Public Resources Code [Código de recursos públicos de California]). Otros estados pueden tener leyes similares. Se aplican leyes federales en las tierras federales.

PELIGROS RELACIONADOS CON EL ESCAPE Y LA UBICACIÓN

- ¡Nunca use la unidad en una zona confinada o en interiores! ¡NUNCA use la unidad en la casa, en un vehículo o en zonas parcialmente confinadas tales como garajes, AUN SI las puertas y ventanas están abiertas! Use ÚNICAMENTE en exteriores y lejos de ventanas, puertas y ventilaciones abiertas, y en una zona donde no se acumulen vapores de escape mortales.

⚠ ¡PELIGRO!

Usar un generador en interiores LO PUEDE MATAR EN MINUTOS.
Los gases de escape del generador contienen monóxido de carbono. este es un veneno que no se puede ver u oler.

 NUNCA lo use dentro de una casa o garaje, AUN si la puerta y las ventanas se encuentran abiertas.	 Use únicamente en EXTERIORES, y alejado de ventanas, puertas y ventilaciones.
--	--

- Las emanaciones de escape del motor contienen dióxido de carbono, que no se puede ver ni oler. Este gas venenoso, si se respira en concentraciones suficientes, puede causar inconsciencia o incluso la muerte.
- El flujo adecuado y sin obstrucciones de aire de enfriamiento y ventilación resulta crítico para el funcionamiento adecuado del generador. No altere la instalación ni permita el bloqueo, ni siquiera parcial, del suministro de ventilación, dado que esto puede afectar seriamente el funcionamiento seguro del generador. El generador SE DEBE hacer funcionar en exteriores.
- Este sistema de escape debe contar con el mantenimiento apropiado. No haga nada que pueda volver inseguro al sistema de escape o que infrinja cualquier código y/o norma local.
- Siempre use en interiores una alarma de monóxido de carbono alimentada por batería, instalada conforme a las instrucciones del fabricante.
- Si comienza a sentirse enfermo, mareado o débil después de que el generador ha estado funcionando, salga INMEDIATAMENTE al aire fresco. Consulte a un médico, ya que podría sufrir envenenamiento por monóxido de carbono.

PELIGROS ELÉCTRICOS

- El generador produce un voltaje peligrosamente alto cuando está funcionando. Evite el contacto con cables, terminales, conexiones, etc. desnudos mientras la unidad está funcionando, aún en los equipos conectados al generador. Asegúrese de que todas las cubiertas, protecciones y barreras adecuadas estén colocadas antes de utilizar el generador.
- Nunca maneje ningún tipo de cordón o dispositivo eléctrico mientras esté parado sobre agua o esté descalzo o cuando tenga las manos o los pies mojados. **PUEDA PRODUCIRSE UN CHOQUE ELÉCTRICO PELIGROSO.**

- El Código eléctrico nacional (NEC) de EE. UU. requiere que el bastidor y las piezas conductoras de electricidad externas del generador estén correctamente conectados a una conexión a tierra aprobada. Los códigos de electricidad locales también pueden requerir la conexión a tierra apropiada del generador. Consulte con un electricista local los requisitos de conexión a tierra de su zona.
- Use un interruptor de circuito por fallo de conexión a tierra en todas las zonas húmedas o altamente conductoras (tales como zonas de trabajo con tarimas metálicas o estructuras de acero).
- No use con el generador juegos de cordones eléctricos de conexión gastados, desnudos, deshilachados o que tengan algún otro tipo de daño.
- Antes de efectuar cualquier mantenimiento en el generador, desconecte la batería de arranque del motor (si está instalada) para evitar un arranque accidental. Desconecte primero el cable del borne de batería indicado por NEGATIVO, NEG o (-). Vuelva a conectar ese cable en último lugar.
- En caso de accidente causado por choque eléctrico, apague de inmediato la fuente de alimentación eléctrica. Si esto no es posible, intente liberar a la víctima del conductor alimentado. **EVITE EL CONTACTO DIRECTO CON LA VÍCTIMA.** Use un implemento no conductor, como una cuerda o tabla, para liberar a la víctima del conductor alimentado. Si la víctima está inconsciente, aplique primeros auxilios y obtenga ayuda médica de inmediato.

PELIGROS DE INCENDIO

- **La gasolina es altamente INFLAMABLE y sus vapores son EXPLOSIVOS. No permita que se fume o que haya llamas abiertas, chispas o calor en la zona mientras maneje gasolina.**
- Nunca añada combustible mientras la unidad está funcionando o caliente. Espere a que el motor se enfríe completamente antes de añadir combustible.
- **Nunca llene el tanque de combustible en interiores.** Cumpla todas las leyes que reglamentan el almacenamiento y manejo de gasolina.
- **No llene el tanque de combustible en exceso. Siempre deje lugar para la expansión del combustible.** Si se llena el tanque en exceso, el combustible puede rebasar sobre un motor caliente y causar INCENDIO o EXPLOSIÓN. Nunca almacene el generador con combustible en el tanque donde los vapores de la gasolina podrían alcanzar una llama abierta, chispa o luz piloto (como la de un horno, caldera o secador de ropa). Puede ocasionar INCENDIO o EXPLOSIÓN. Permita que la unidad se enfríe completamente antes de almacenarla.
- Recoja y seque inmediatamente todos los derrames de combustible o aceite. Asegúrese de que no queden materiales combustibles en el generador o cerca de este. Mantenga la zona alrededor del generador limpia y sin residuos, y deje un espacio libre de cinco (5) pies (1.5 m) en todos los costados a fin de permitir la ventilación apropiada del generador.
- No inserte objetos a través de las ranuras de enfriamiento de la unidad.
- **No** use el generador si los dispositivos eléctricos conectados se recalientan, si se pierde la salida eléctrica, si el motor o el generador producen chispas o si se observan llamas o humo mientras la unidad está funcionando.
- Mantenga un extintor de incendio cerca del generador en todo momento.

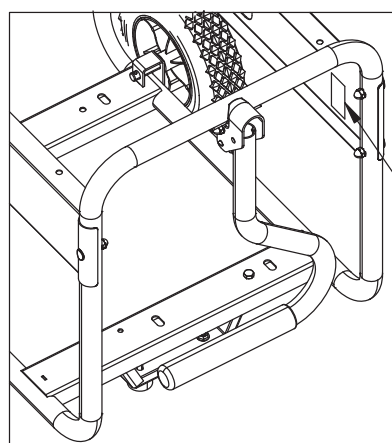
ÍNDICE DE NORMAS

1. National Fire Protection Association (Asociación nacional de protección contra incendios [NFPA]) de EE. UU. 70: El NATIONAL ELECTRIC CODE (Código eléctrico nacional [NEC] de EE. UU.) está disponible en www.nfpa.org
2. National Fire Protection Association (Asociación nacional de protección contra incendios [NFPA]) de EE. UU. 5000: BUILDING CONSTRUCTION AND SAFETY CODE (Código de construcción y seguridad de edificios) disponible en www.nfpa.org
3. International Building Code (Código de construcción internacional) disponible en www.iccsafe.org
4. Agricultural Wiring Handbook (Manual de cableado agrícola) disponible en www.rerc.org, Rural Electricity Resource Council P.O. Box 309 Wilmington, OH 45177-0309, EE. UU.
5. ASAE EP-364.2 Installation and Maintenance of Farm Standby Electric Power (Instalación y mantenimiento de alimentación eléctrica rural de reserva) disponible en www.asabe.org, American Society of Agricultural & Biological Engineers (Sociedad estadounidense de ingenieros agrícolas y biológicos) 2950 Niles Road, St. Joseph, MI 49085, EE. UU.

Esta lista no es exhaustiva. Compruebe con la Autoridad que tiene jurisdicción local (AHJ) todos los códigos o normas locales que podrían corresponder a su jurisdicción.

NÚM. DE MODELO:	
NÚM. DE SERIE:	

Ubicación de la ID de la unidad



ETIQUETA DE DATOS DEL MODELO

Información general

1.1 DESEMBALAJE

- Retire todo el material de embalaje.
- Retire la caja de accesorios separada.
- Retire el generador de la caja.

1.1.1 CAJA DE ACCESORIOS

Compruebe todo el contenido. Si falta alguna pieza o hay alguna pieza dañada, comuníquese con un concesionario autorizado al 1-888-436-3722.

- 1 - Manual del propietario
- 1- Aceite SAE 30
- 2- Ruedas de 7 in
- 1- Conjunto de asa
- 1- Soporte de asa
- 1- Eje de rueda
- 1- Bolsa de tornillería (contiene lo siguiente):

2 - Amortiguadores de caucho	7 - Tuercas embridadas M6
2 - Soportes de amortiguador	2 - Pasadores hendidos
2 - Arandelas planas M12	2 - Cubos
5 - Pernos embridados M6-1 x 40	2 - Pernos embridados M6-1.0 x 16

1.2 ARMADO

El generador requiere algo de armado antes del uso. Si surgen problemas durante el armado del generador, llame a la Línea de ayuda para generadores al 1-888-436-3722.

1.2.1 ARMADO DEL KIT DE ACCESORIOS

Las ruedas están diseñadas para aumentar en gran medida la facilidad de transporte del generador.

NOTA:

Las ruedas no están destinadas al uso en caminos.

1. Consulte la Figura 1 e instale las ruedas como se muestra.
 - Deslice el eje a través de los soportes del bastidor.
 - Deslice el cubo, rueda y arandela plana, luego inserte el pasador hendido a través del agujero del eje de la rueda.
 - Doble hacia afuera las aletas del pasador hendido para bloquear al pasador en su lugar.
2. Consulte la Figura 1 para instalar los amortiguadores de caucho como se muestra.
 - Inserte un perno M6 a través del amortiguador de caucho y la parte inferior del soporte del amortiguador. Fije el perno con una tuerca embridada M6.
 - Inserte un perno M6 a través del bastidor del generador y la parte superior del soporte del amortiguador. Fije el perno con una tuerca embridada M6.
3. Consulte la Figura 2 para instalar el conjunto de asa como se muestra.
 - Inserte el soporte de la asa en el bastidor del generador y fije con dos pernos M6 y dos tuercas embridadas M6.
 - Alinee los agujeros del conjunto de asa con los agujeros del soporte de asa y fije con un perno M6 y una tuerca embridada M6.

Para instalar apropiadamente el kit de accesorios, son necesarias las herramientas siguientes:

- Alicates
- Llave cerrada de 8 mm
- Llave cerrada de 10 mm

Figura 1 - Armado de ruedas

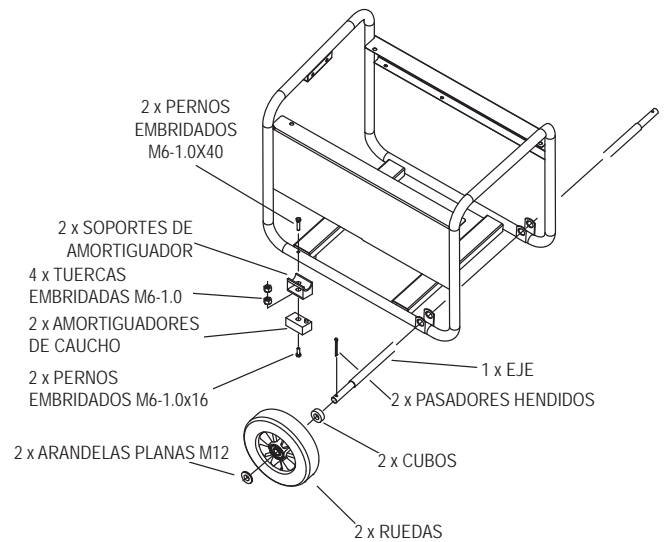
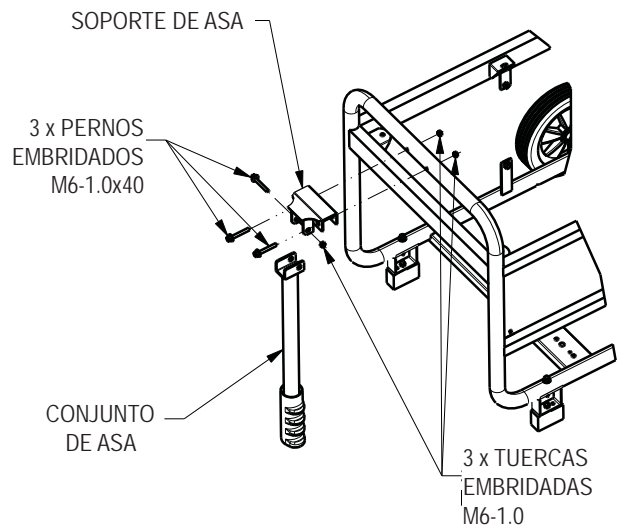


Figura 2 - Kit de asa



2.1 CONOZCA EL GENERADOR

Lea el Manual del propietario y las Reglas de seguridad antes de operar este generador.

Compare el generador con las Figuras 3 a 6 para familiarizarse con las ubicaciones de los diversos controles y ajustes. Guarde este manual para referencia en el futuro.

1. **Tomacorriente doble de 120 VCA, 20 A** - Suministra alimentación eléctrica para el funcionamiento de iluminación eléctrica, artefactos, herramientas y cargas de motor de 120 VCA, 20 A, monofásicos, de 60 Hz. También proporciona protección con un interruptor de circuito por fallo de conexión a tierra con botones de oprimir de "Test" (Prueba) y "Reset" (Reposición).
2. **Disyuntores (CA)** - Cada tomacorriente cuenta con un disyuntor de oprimir para reconectar de 13.5 A para proteger al generador contra sobrecargas eléctricas.

3. **Filtro de aire** - Filtra el aire de admisión a medida que ingresa en el motor.
4. **Perilla del cebador** - Se usa para arrancar un motor frío.
5. **Tanque de combustible** - El tanque contiene 4 galones de EE. UU. de combustible.
6. **Terminal de conexión a tierra** - Conecte aquí el generador a una conexión a tierra aprobada. Vea los detalles en "Conexión a tierra del generador".
7. **Interruptor ON/OFF** - Controla el funcionamiento del generador.
8. **Silenciador** - Reduce el ruido del motor.
9. **Asa** - Pivotea y se retrae para el almacenamiento.
10. **Tapa de combustible** - Ubicación para llenado de combustible.
11. **Medidor de combustible** - Muestra el nivel de combustible en el tanque.
12. **Comprobación/llenado de aceite** - Compruebe y añada aceite aquí.
13. **Arrancador con cuerda** - Se usa para arrancar el motor manualmente.
14. **Cierre de combustible** - Válvula entre el tanque de combustible y el carburador.
15. **Tapón de vaciado de aceite** - Se usa para vaciar el aceite del motor.
16. **Supresor de chispas** - Reduce el peligro de incendio conteniendo las chispas.
17. **Válvula de inversión** - Permite el paso de vapores de combustible al cartucho de carbón.
18. **Cartucho de carbón** - Absorbe los vapores del tanque de combustible.
19. **Manguera de recuperación** - Instalada entre los artículos 17 y 18.

Figura 3 - Tablero de control



Figura 4 - Controles del generador



Figura 5 - Controles del generador



Figura 6 - Controles del generador



2.2 JUEGOS DE CORDONES Y ENCHUFES DE CONEXIÓN

2.2.1 TOMACORRIENTE DOBLE DE 120 VCA, 20 A

Es un tomacorriente de 120 V protegido contra sobrecargas por un disyuntor de oprimir para reconectar de 13.5 A (Figura 6). Se puede consumir 13.5 A de corriente de cada tomacorriente, sin embargo el total de potencia consumida debe ser mantenido dentro de los valores nominales de la placa de datos. Use solamente juegos de cordones de conexión de 3 conductores con conexión a tierra, de alta calidad y bien aislados, con una capacidad nominal de 125 V con 20 A (o mayor).

2.3 CÓMO USAR EL GENERADOR

Si surgen problemas durante el funcionamiento del generador, llame a la Línea de ayuda para generadores al 1-888-436-3722.

⚠ ¡PELIGRO!

⚠ ¡Nunca use la unidad en una zona confinada o en interiores! ¡NUNCA use la unidad en la casa, en un vehículo o en zonas parcialmente confinadas tales como garajes, AUN SI las puertas y ventanas están abiertas! Use ÚNICAMENTE en exteriores y lejos de ventanas, puertas y ventilaciones abiertas, y en una zona donde no se acumulen vapores de escape mortales.

⚠ Las emanaciones de escape del motor contienen dióxido de carbono, que no se puede ver ni oler. Este gas venenoso, si se respira en concentraciones suficientes, puede causar inconsciencia o incluso la muerte.

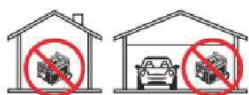
⚠ El flujo adecuado y sin obstrucciones de aire de enfriamiento y ventilación resulta crítico para el funcionamiento adecuado del generador. No altere la instalación ni permita el bloqueo, ni siquiera parcial, del suministro de ventilación, dado que esto puede afectar seriamente el funcionamiento seguro del generador. El generador SE DEBE hacer funcionar en exteriores.

⚠ Este sistema de escape debe contar con el mantenimiento apropiado. No haga nada que pueda volver inseguro al sistema de escape o que infrinja cualquier código y/o norma local.

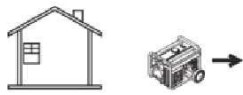
⚠ Siempre use en interiores una alarma de monóxido de carbono alimentada por batería, instalada conforme a las instrucciones del

⚠ ¡PELIGRO!

Usar un generador en interiores LO PUEDE MATAR EN MINUTOS. Los gases de escape del generador contienen monóxido de carbono, este es un veneno que no se puede ver u oler.



NUNCA lo use dentro de una casa o garaje, AUN si la puerta y las ventanas se encuentran abiertas.



Use únicamente en EXTERIORES, y alejado de ventanas, puertas y ventilaciones.

2.3.1 CONEXIÓN A TIERRA DEL GENERADOR

Este generador tiene una conexión a tierra del equipo que conecta los componentes del bastidor del generador a los terminales de conexión a tierra de los tomacorrientes de salida de CA (vea una explicación en NEC 250.34 [A]). Esto permite usar el generador como una unidad portátil sin conectar a tierra el bastidor del generador como se especifica en NEC 250.34.

2.3.1.1 REQUISITOS ESPECIALES

Puede haber reglamentos federales o estatales de la Administración de Seguridad y Salud Ocupacional de los EE. UU. (OSHA), códigos u ordenanzas que correspondan al uso previsto del generador.

Consulte a un electricista cualificado, inspector de electricidad o al organismo local que tenga jurisdicción:

En algunas zonas, se requiere el registro de los generadores en las compañías de servicios públicos locales.

Si el generador se usa en un sitio de construcción, puede ser necesario cumplir reglamentos adicionales.

2.3.2 CONEXIÓN DEL GENERADOR AL SISTEMA ELÉCTRICO DE UN EDIFICIO

Al conectarlo directamente al sistema eléctrico de un edificio, se recomienda usar un interruptor de transferencia manual. Las conexiones para un generador portátil al sistema eléctrico de un edificio deben ser efectuadas por un electricista cualificado y cumpliendo estrictamente todos los códigos y leyes nacionales y locales sobre electricidad.

Figura 7 - Conexión a tierra del generador



2.3.3 CONEXIÓN DE CARGAS ELÉCTRICAS

NO conecte cargas de 240 V en tomacorrientes de 120 V. **NO** conecte cargas trifásicas en el generador. **NO** conecte cargas de 50 Hz en el generador.

- Deje que el motor se estabilice y caliente unos pocos minutos después del arranque.
- Enchufe y conecte las cargas eléctricas monofásicas de 120 o 240 VCA, 60 Hz deseadas.
- Sume los vatios (o amperios) totales de todos los dispositivos eléctricos a ser conectados a la vez. Esta carga no debe ser mayor que: (a) la capacidad de potencia/amperaje nominal del generador o (b) la capacidad nominal del disyuntor del tomacorriente que suministra la alimentación. Vea "No sobrecargue el generador".

2.4 NO SOBRECARGUE EL GENERADOR

Sobrecargar un generador por encima de su capacidad nominal en vatios puede ocasionar daños al generador y a los dispositivos eléctricos conectados. Observe lo siguiente para evitar sobrecargar la unidad:

- Sume los vatios totales de todos los dispositivos eléctricos a ser conectados a la vez. Este total NO debería ser mayor que la capacidad en vatios del generador.
 - Los vatios nominales de las luces pueden ser tomados de las bombillas. Los vatios nominales de las herramientas, artefactos y motores pueden encontrarse usualmente en la etiqueta de datos adherida a la unidad.
 - Si el artefacto, herramienta o motor no indica la potencia, multiplique los voltios por amperios nominales para determinar los vatios ($V \times A = W$).
 - Algunos motores eléctricos, como los de inducción, requieren tres veces más vatios de potencia para el arranque que para el funcionamiento. Este pico de potencia dura unos pocos segundos al arrancar estos motores. Asegúrese de contar con capacidad para una alta potencia de arranque en vatios cuando seleccione dispositivos eléctricos para conectar al generador:
1. Calcule los vatios requeridos para arrancar el motor más grande.
 2. Sume a esa cifra los vatios de consumo funcionando de todas las otras cargas conectadas.

La guía de referencia de potencia en vatios se provee para asistir en la determinación de cuántos elementos puede accionar el generador a la vez.

NOTA:

Todas las cifras son aproximadas. Vea la etiqueta de datos en el artefacto para conocer los requisitos de potencia en vatios.

2.5 GUÍA DE REFERENCIA DE POTENCIA EN VATIOS

Dispositivo..... Vatios en funcionamiento

*Acondicionador de aire (12.000 BTU).....	1700
*Acondicionador de aire (24.000 BTU).....	3800
*Acondicionador de aire (40.000 BTU).....	6000
Cargador de baterías (20 A).....	500
Lijadora de banda (3 in).....	1000
Motosierra.....	1200
Sierra circular (6-1/2 in).....	800 a 1000
*Secarropas (eléctrico).....	
*Secarropas (gas).....	700
*Lavarropas.....	1150
Cafetera.....	1750
*Compresor (1 HP).....	2000
*Compresor (3/4 HP).....	1800
*Compresor (1/2 HP).....	1400
Rizador de pelo.....	700
*Deshumificador.....	650
Lijadora de disco (9 in).....	1200
Bordeadora.....	500
Manta eléctrica.....	400
Pistola de clavos eléctrica.....	1200
Cocina eléctrica (por elemento).....	1500
Sartén eléctrica.....	1250
*Congelador.....	700
*Ventilador de horno (3/5 HP).....	875
*Abridor de puerta de garaje.....	500 a 750
Secador de pelo.....	1200
Taladro de mano.....	250 a 1100

Podadora de cerco.....	450
Llave de impacto.....	500
Plancha.....	1200
*Bomba de inyección.....	800
Cortadora de césped.....	1200
Bombilla.....	100
Horno de microondas.....	700 a 1000
*Refrigerador de leche.....	1100
Quemador de gasoil en horno.....	300
Estufa de gasoil (140.000 BTU).....	400
Estufa de gasoil (85.000 BTU).....	225
Estufa de gasoil (30.000 BTU).....	150
*Pulverizador de pintura, sin aire (1/3 HP).....	600
Pulverizador de pintura, sin aire (de mano).....	150
Radio.....	50 a 200
*Refrigerador.....	700
Olla de cocción lenta.....	200
*Bomba sumergible (1-1/2 HP).....	2800
*Bomba sumergible (1 HP).....	2000
*Bomba sumergible (1/2 HP).....	1500
*Bomba de sumidero.....	800 a 1050
*Sierra de banco (10 in).....	1750 a 2000
Televisor.....	200 a 500
Tostadora.....	1000 a 1650
Cortadora de hierba.....	500

* Suministre 3 veces la potencia en vatios indicada para el arranque de estos dispositivos.

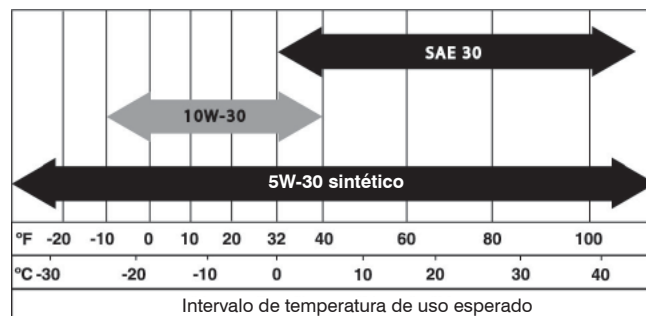
2.6 ANTES DE ARRANCAR EL GENERADOR

Antes de hacer funcionar el generador, se deberá agregar aceite de motor y gasolina, de la siguiente forma:

2.6.1 CÓMO AÑADIR ACEITE DE MOTOR

Todo el aceite debe satisfacer las clases de servicio mínimas SJ, SL o mejores del Instituto Norteamericano del Petróleo (API). No use aditivos especiales. Seleccione el grado de viscosidad del aceite de acuerdo con la temperatura de funcionamiento esperada (vea también la tabla).

- Por encima de 32 °F (0 °C), use SAE 30
- Entre 40 °F y -10 °F (4 °C y -32 °C), use 10W-30
- 5W -30 sintético para todos los intervalos de temperatura



⚠ ¡PRECAUCIÓN!

⚠ Cualquier intento de hacer girar o arrancar el motor antes de que haya sido correctamente preparado con el aceite recomendado puede ocasionar un fallo del motor.

Funcionamiento

1. Coloque el generador en una superficie nivelada (que no exceda 15° en todos los sentidos).
2. Limpie la zona alrededor de la abertura de llenado de aceite y retire la tapa de llenado de aceite y la varilla de medición.
3. Limpie la varilla de medición.
4. Lentamente llene el motor con aceite a través de la abertura de llenado hasta que alcance la marca de lleno en la varilla de medición. Deje de llenar ocasionalmente para comprobar el nivel de aceite. **Tenga cuidado de no llenar en exceso.**
5. Coloque la tapa de llenado de aceite y apriete firmemente con la mano.
6. Compruebe el nivel del aceite del motor antes de cada arranque de allí en adelante.

2.6.2 CÓMO AÑADIR GASOLINA

⚠ ¡PELIGRO!

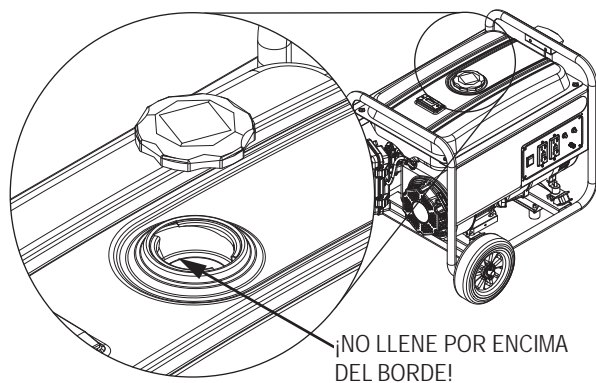
⚠ **Nunca llene el tanque de combustible en interiores. Nunca llene el tanque de combustible mientras la unidad está funcionando o caliente. Espere a que el motor se enfríe completamente antes de llenar el tanque de combustible. Evite derramar gasolina sobre un motor CALIENTE. NO encienda un cigarrillo o fume mientras llena el tanque de combustible. La gasolina es altamente inflamable y sus vapores son explosivos.**

⚠ ¡PRECAUCIÓN!

⚠ **No llene el tanque de combustible en exceso. Siempre deje lugar para la expansión del combustible. Si llena el tanque el exceso, el combustible puede rebasar sobre un motor CALIENTE y causar INCENDIO o EXPLOSIÓN.**

1. Use gasolina común SIN PLOMO en el motor del generador. No use ninguna gasolina con más de 10% de etanol añadido y nunca use gasolina E85. No mezcle gasoil con gasolina.
2. Limpie la zona alrededor de la tapa de llenado de combustible, retire la tapa.
3. Lentamente añada gasolina común sin plomo al tanque de combustible. **Tenga cuidado de no llenar en exceso** (Figura 8).
4. Instale la tapa de combustible y recoja y seque la gasolina que se haya derramado.

Figura 8 - Tanque de combustible



IMPORTANTE: Es importante evitar la formación de depósitos de goma en las piezas del sistema de combustible como el carburador, la manguera o el tanque de combustible durante el almacenamiento. Los combustibles mezclados con alcohol (llamados gasohol, etanol o metanol) pueden atraer humedad, lo que ocasiona la separación y la formación de ácidos durante el almacenamiento. El gas ácido puede dañar el sistema de combustible de un motor durante el almacenamiento. Para evitar problemas del motor, el sistema de combustible debe vaciarse antes de almacenarlo durante 30 días o más. Vea la sección de "Almacenamiento". Nunca use productos de limpieza de motor o carburador ya que pueden ocasionar daños permanentes.

2.7 PARA ARRANCAR EL MOTOR

⚠ ¡ADVERTENCIA!

⚠ **Nunca arranque o pare el motor con dispositivos eléctricos enchufados en los tomacorrientes Y los dispositivos encendidos.**

1. Desconecte todas las cargas eléctricas de los tomacorrientes de la unidad antes de arrancar el motor.
2. Asegúrese de que la unidad se encuentre en una posición nivelada (que no exceda 15° en todos los sentidos).
3. Abra la válvula de cierre de combustible a la posición "ON"(Figura 9).
4. Ponga el interruptor ON/OFF en la posición de ON (Figura 9).
5. Mueva la palanca del CEBADOR hacia afuera a la posición de START (Arranque) (Figura 10).
6. Para arrancar el motor, sujete firmemente la manija de la cuerda y tire lentamente hasta sentir una mayor resistencia. Tire rápidamente hacia arriba y afuera.
7. Cuando el motor arranque, mueva la palanca del cebador a la posición de 1/2-CHOKE (Medio cebador) hasta que el motor funcione suavemente y luego hasta la posición de RUN (Marcha). Si el motor falla intermitentemente, mueva el cebador nuevamente a la posición de 1/2-CHOKE (Medio cebador) hasta que el motor funcione suavemente y luego a la posición de RUN (Marcha).

NOTA:

Si el motor hace explosiones, pero no sigue funcionando, mueva la palanca del cebador a la posición de START (Arranque) y repita las instrucciones de arranque.

Figura 9 - Válvula de cierre de combustible



Figura 10 - Posición del cebador



IMPORTANTE: No sobrecargue el generador. Tampoco sobrecargue los tomacorrientes individuales del tablero. Estas salidas están protegidas contra sobrecargas con disyuntores tipo oprimir para reconectar. Si se excede el amperaje nominal de algún disyuntor, ese disyuntor se abre y se pierde la salida eléctrica a ese tomacorriente. Lea "No sobrecargue el generador" cuidadosamente.

2.8 PARADA DEL MOTOR

1. Apague todas las cargas, y luego desenchufe las cargas eléctricas de los tomacorrientes del tablero del generador. Nunca arranque o pare el motor con dispositivos eléctricos enchufados y encendidos.
2. Deje que el motor funcione en vacío por varios minutos para estabilizar las temperaturas internas del motor y el generador.
3. Ponga el interruptor ON/OFF en la posición de OFF.
4. Cierre la válvula de combustible.

2.9 SISTEMA DE APAGADO POR NIVEL DE ACEITE BAJO

El motor se encuentra equipado con un sensor de nivel de aceite bajo que para el motor automáticamente cuando el nivel cae por debajo de un nivel especificado. Si el motor se para automáticamente y el tanque de combustible tiene suficiente gasolina, compruebe el nivel de aceite.

2.9.1 DETECCIÓN DE NIVEL DE ACEITE BAJO

Si el sistema detecta un nivel de aceite bajo durante el funcionamiento, el motor se para. El motor no funcionará hasta que el aceite haya sido llenado hasta el nivel apropiado.

3.1 PROGRAMA DE MANTENIMIENTO

Siga los intervalos del calendario. Se requiere un mantenimiento más frecuente para el uso en las condiciones adversas que se listan a continuación.

Comprobación del nivel de aceite	En cada uso
Cambio de aceite ⁺	*En cada estación
Comprobación de la luz de válvulas	***En cada estación
Servicio del filtro de aire	**En cada estación
Sustitución de la bujía	En cada estación
+ Cambie el aceite después de las primeras 20 horas de funcionamiento y luego en cada estación.	
* Cambie el aceite cada mes cuando funcione bajo carga pesada o altas temperaturas.	
** Limpie más a menudo en condiciones de funcionamiento con suciedad o polvo. Sustituya las piezas del filtro de aire si no se pueden limpiar adecuadamente.	
*** Compruebe la luz de válvulas y ajuste si es necesario después de las primeras 50 horas de funcionamiento y cada 100 horas de allí en adelante.	

3.2 ESPECIFICACIONES DEL PRODUCTO

3.2.1 ESPECIFICACIONES DEL GENERADOR

Nominales. Potencia	3.25 kW**
Potencia pico	3.75 kW
Voltaje nominal de CA.....	120
Corriente nominal	27 A**
Frecuencia nominal	60 Hz c o n 3600 rpm
Fase.....	Monofásica

** La potencia máxima está sujeta a, y limitada por, factores como el contenido de BTU del combustible, temperatura ambiente, altitud, condiciones del motor, etc. La potencia máxima disminuye alrededor del 3.5% por cada 1000 ft sobre el nivel del mar, y también disminuirá alrededor del 1% por cada 10 °F (6 °C) por encima de 60 °F (16 °C) de temperatura ambiente.

3.2.2 ESPECIFICACIONES DEL MOTOR

Cilindrada	208 cm ³
Tipo de bujía.....	F6TC, NGK BPR4ES o Champion RN14YC
Separación de la bujía	0.028-0.031 in o (0.70-0.80 mm)
Capacidad de gasolina.....	4 gal. de EE. UU. (15.14 l)
Tipo de aceite.....	Vea el cuadro en la sección "Antes de arrancar el generador"
Capacidad de aceite.....	0.634 qt. (0.6 l)
Tiempo de funcionamiento.....	12.5 horas con ½ carga
Intervalo de temperaturas de funcionamiento.....	0 °F (-17 °C) a 110 °F (43 °C)*

* Cuando se opera por encima de 77 °F (25 °C) puede haber una disminución de la potencia del motor.

3.3 RECOMENDACIONES GENERALES

La garantía del generador no cubre elementos que hayan sido sometidos a abuso o negligencia del operador. Para recibir el valor completo de la garantía, el operador debe mantener el generador como se instruye en este manual.

Se deberán hacer algunos ajustes periódicamente para mantener el generador de manera apropiada.

Todos los ajustes indicados en la sección de mantenimiento de este manual deberán ser efectuados al menos una vez cada estación. Siga los requerimientos indicados en el "Programa de mantenimiento".

NOTA:

Una vez al año sustituya la bujía y el filtro de aire. Una bujía nueva y un filtro de aire limpio aseguran una mezcla de aire-combustible apropiada y ayudan a que el motor funcione mejor y dure más.

3.3.1 MANTENIMIENTO DEL GENERADOR

El mantenimiento del generador consiste en conservar la unidad limpia y seca. Haga funcionar y almacene la unidad en un ambiente limpio y seco donde no se encuentre expuesta a polvo, tierra o humedad en exceso ni a vapores corrosivos. Las ranuras de aire de enfriamiento no deben ser obstruidas con nieve, hojas o ningún otro material extraño.

Compruebe la limpieza del generador frecuentemente y limpie cuando en su superficie exterior se observen polvo, tierra, aceite, humedad u otras sustancias extrañas.

⚠ ¡PRECAUCIÓN!

⚠ Nunca inserte ningún objeto o herramienta a través de las ranuras de aire de enfriamiento, aun si el motor no está funcionando.

NOTA:

NO use una manguera de jardín para limpiar el generador. Puede entrar agua en el sistema de combustible del motor y causar problemas. Además, si entra agua en el generador a través de las ranuras de enfriamiento por aire, parte del agua será retenida en vacíos y hendiduras del aislante del devanado del rotor y estator. La acumulación de agua y tierra en los devanados internos del generador con el tiempo disminuirá la resistencia del aislamiento de estos devanados.

3.3.2 LIMPIEZA DEL GENERADOR

- Use un paño húmedo para limpiar las superficies exteriores.
- Se puede usar un cepillo de cerdas suave para aflojar tierra compactada, aceite, etc.
- Se puede usar una aspiradora para recoger tierra y suciedad suelta.
- Se puede usar aire a baja presión (que no exceda 25 psi) para soplar la tierra. Inspeccione las ranuras de aire de enfriamiento y las aberturas del generador. Estas aberturas deben mantenerse limpias y sin obstrucciones.

3.3.3 MANTENIMIENTO DEL MOTOR

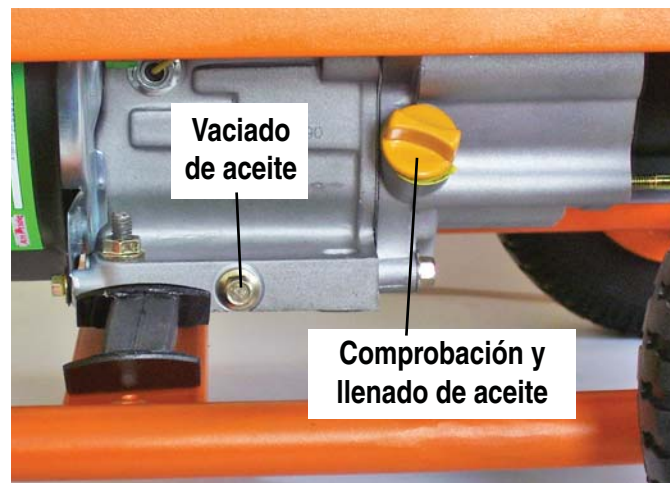
⚠ ¡PELIGRO!

⚠ Cuando trabaje sobre el generador, siempre desconecte el cable de la bujía y manténgalo alejado de la bujía.

3.3.4 COMPROBACIÓN DEL NIVEL DE ACEITE

Vea la sección "Antes de arrancar el generador" para información sobre la comprobación del nivel de aceite. El nivel de aceite debe ser comprobado antes de cada uso o al menos cada ocho horas de funcionamiento. Mantenga el nivel de aceite (Figura 11).

Figura 11 - Tapón de vaciado, comprobación y llenado de aceite



3.3.5 CAMBIO DE ACEITE

Cambie el aceite después de las primeras 20 horas de funcionamiento y luego en cada estación. Si utiliza esta unidad en condiciones de suciedad o polvorientas, o en clima extremadamente caluroso, cambie el aceite más frecuentemente.

⚠ ¡PRECAUCIÓN!

⚠ El aceite caliente puede provocar quemaduras. Espere a que el motor se enfríe antes de vaciar el aceite. Evite la exposición prolongada o repetida de la piel al aceite usado. Lave cuidadosamente con jabón las zonas expuestas.

Siga las instrucciones dadas a continuación para cambiar el aceite luego de que el motor se enfríe:

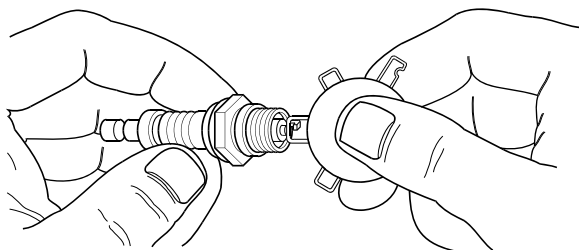
1. Limpie la zona alrededor del tapón de vaciado de aceite.
2. Retire los tapones de vaciado y llenado de aceite para vaciar el aceite completamente en un contenedor apropiado.
3. Cuando el aceite se haya vaciado completamente, coloque el tapón de vaciado de aceite y apriételo firmemente.
4. Llene el motor con el aceite recomendado. (Vea "Antes de arrancar el generador" para las recomendaciones sobre el aceite).
5. Recoja y limpie el aceite que pueda haberse derramado.
6. Deseche el aceite usado en un centro de recolección apropiado.

3.3.6 SUSTITUCIÓN DE LA BUJÍA

Use bujía F6TC, NGK BPR4ES o Champion RN14YC. **Sustituya la bujía una vez por año.** Esto ayudará a que el motor arranque más fácilmente y funcione mejor.

1. Pare el motor y desconecte el cable de distribución de la bujía.
2. Limpie la zona alrededor de la bujía y retírela de la culata del cilindro.
3. Ajuste la luz de la bujía a 0.70-0.80 mm (0.028-0.031 in). Instale la bujía con la luz correcta en la culata del cilindro y apriétela a 15 ft/lb. (Figura 12).

Figura 12 - Luz de la bujía



3.3.7 SUPRESOR DE CHISPAS

1. Apague el generador y permita que el motor y el silenciador se enfríen completamente antes de dar servicio al supresor de chispas (ubicado en la parte trasera del silenciador).
2. Retire la abrazadera y la rejilla del supresor de chispas.
3. Limpie la rejilla del supresor de chispas con un cepillo de alambre pequeño.
4. Sustituya el supresor de chispas si está dañado.
5. La instalación de la rejilla del supresor de chispas es en el orden inverso al del retiro.

3.4 SERVICIO DEL FILTRO DE AIRE

El motor no funcionará correctamente y se puede dañar si se usa un filtro de aire sucio. Limpie el filtro de aire una vez por año (Figura 13). Limpie o sustituya más frecuentemente si se usa en condiciones polvorrientas.

1. Retire la cubierta del filtro de aire.
2. Lave en agua jabonosa. Estruje el filtro suavemente para secarlo con un paño limpio (NO LO RETUERZA).
3. Limpie la tapa del filtro de aire antes de volver a instalarla.

Figura 13 - Filtro de aire



3.5 LUZ DE VÁLVULAS

- Admisión - 0.10 ± 0.02 mm (frío), (0.004 ± 0.001 in)
- Escape - 0.15 ± 0.02 mm (frío) (0.006 ± 0.001 in)

Después de las primeras 50 horas de funcionamiento, compruebe la luz de válvulas en el motor y ajuste si es necesario.

Importante: Si no se siente cómodo haciendo este procedimiento o si no dispone de las herramientas adecuadas, lleve el generador al centro de servicio más cercano para que ajuste la luz de válvulas. Este es un paso muy importante para asegurar una larga vida útil del motor.

3.6 GENERAL

El generador se debe poner en marcha al menos una vez cada 30 días y se debe hacer funcionar durante 30 minutos como mínimo. Si esto no es posible y la unidad debe ser almacenada por más que 30 días, use la siguiente información como guía para prepararlo para el almacenamiento.

⚠ ¡PELIGRO!

⚠ NUNCA almacene el motor con combustible en el tanque en interiores o en zonas con mala ventilación donde las emanaciones puedan alcanzar una llama abierta, chispa o llama piloto como en un horno, calefón, secarropas u otros artefactos de gas.


3.7 ALMACENAMIENTO A LARGO PLAZO

Es importante evitar la formación de depósitos de goma en piezas esenciales del sistema de combustible como el carburador, la manguera o el tanque de combustible durante el almacenamiento. Además, la experiencia indica que los combustibles mezclados con alcohol (llamados gasohol, etanol o metanol) pueden atraer humedad, lo que ocasiona la separación y la formación de ácidos durante el almacenamiento. El gas ácido puede dañar el sistema de combustible de un motor durante el almacenamiento.

Para evitar problemas en el motor, el sistema de combustible debería vaciarse antes de ser almacenarlo por 30 días o más, como sigue:


1. Saque toda la gasolina del tanque de combustible. Use un sifón de vacío no conductor disponible comercialmente.

¡PELIGRO!

 **Vacíe el combustible en un contenedor aprobado en exteriores, alejado de llamas abiertas. Asegúrese de que el motor esté frío. No fume.**

2. Arranque y haga funcionar el motor hasta que se pare por falta de combustible.
3. Vacíe el aceite del cárter después de que el motor se enfríe. Llène con el grado recomendado.
4. Retire la bujía y vierta alrededor de 1/2 oz (15 ml) de aceite de motor en el cilindro. Cubra el agujero de la bujía con un trapo. Tire del arrancador a cuerda un par de veces para lubricar los aros del pistón y la cavidad del cilindro.

¡PRECAUCIÓN!


 **Evite la pulverización del agujero de la bujía cuando gire el motor.**

5. Instale y apriete las bujías. No conecte el cable de distribución.
6. Limpie las superficies exteriores del generador. Compruebe que las ranuras de aire de enfriamiento y las aberturas del generador se encuentren abiertas y sin obstrucciones.
7. Almacene la unidad en un lugar limpio y seco

3.8 OTROS CONSEJOS SOBRE EL ALMACENAMIENTO

- No almacene gasolina de una estación a otra.
- Sustituya el contenedor de gasolina si comienza a oxidarse. El óxido y/o la tierra en la gasolina causarán problemas en el carburador y el sistema de combustible.
- Si es posible, almacene la unidad en interiores y cúbrala para protegerla del polvo y la tierra. **ASEGÚRESE DE VACIAR EL TANQUE DE COMBUSTIBLE.**
- Si no es posible vaciar el tanque de combustible y la unidad será almacenada durante cierto tiempo, use un estabilizador de gasolina disponible comercialmente añadido a la gasolina para aumentar la vida útil de ésta.
- Cubra la unidad con una cubierta protectora adecuada que no retenga humedad.

¡PELIGRO!

 **NUNCA cubra el generador mientras las zonas del motor y del escape se encuentren tibias.**

4.1 GUÍA DE RESOLUCIÓN DE PROBLEMAS

PROBLEMA	CAUSA	SOLUCIÓN
El motor funciona, pero no hay salida de CA.	<ol style="list-style-type: none"> 1. El disyuntor se encuentra abierto. 2. Conexión deficiente o conjunto de cordones de conexión defectuoso. 3. El dispositivo conectado está averiado. 4. Fallo en el generador. 5. 120V GFCI abierto (sin luz). 	<ol style="list-style-type: none"> 1. Reconecte el disyuntor. 2. Compruebe y repare. 3. Conecte otro dispositivo que se encuentre en buenas condiciones. 4. Comuníquese con un Taller de servicio autorizado. 5. Reconecte pulsador 120V GFCI (luz encendida).
El motor funciona bien pero tiende a pararse cuando se le conectan cargas.	<ol style="list-style-type: none"> 1. Cortocircuito en una carga conectada. 2. El generador está sobrecargado. 3. La velocidad del motor es muy lenta. 4. Generador en cortocircuito. 	<ol style="list-style-type: none"> 1. Desconecte la carga eléctrica en cortocircuito. 2. Vea "No sobrecargue el generador". 3. Comuníquese con un Taller de servicio autorizado. 4. Comuníquese con un Taller de servicio autorizado.
El motor no arranca; o arranca y funciona con dificultad.	<ol style="list-style-type: none"> 1. Filtro de aire sucio. 2. Sin gasolina. 3. Gasolina vencida. 4. El cable de distribución no se encuentra conectado a la bujía. 5. Bujía averiada. 6. Agua en la gasolina. 7. Cebado en exceso. 8. Nivel de aceite bajo. 9. Mezcla de combustible excesivamente rica. 10. La válvula de admisión se encuentra atorada abierta o cerrada. 11. El motor ha perdido compresión. 	<ol style="list-style-type: none"> 1. Limpie o sustituya el filtro de aire. 2. Llene el tanque de combustible. 3. Vacíe el tanque de combustible y llene con combustible nuevo. 4. Conecte el cable a la bujía. 5. Sustituya la bujía. 6. Vacíe el tanque de combustible y llene con combustible nuevo. 7. Ponga la perilla del cebador en la posición No Choke (Sin cebador). 8. Llene el cárter hasta el nivel correcto. 9. Comuníquese con un Taller de servicio autorizado. 10. Comuníquese con un Taller de servicio autorizado. 11. Comuníquese con un Taller de servicio autorizado.
El motor se para durante el funcionamiento.	<ol style="list-style-type: none"> 1. Sin gasolina. 2. Nivel de aceite bajo. 3. Fallo en el motor. 	<ol style="list-style-type: none"> 1. Llene el tanque de combustible. 2. Llene el cárter hasta el nivel correcto. 3. Comuníquese con un Taller de servicio autorizado.
Falta potencia del motor.	<ol style="list-style-type: none"> 1. La carga es muy alta. 2. Filtro de aire sucio. 3. El motor necesita mantenimiento. 	<ol style="list-style-type: none"> 1. Vea "No sobrecargue el generador". 2. Sustituya el filtro de aire. 3. Comuníquese con un Taller de servicio autorizado.
El motor "ratea" o falla.	<ol style="list-style-type: none"> 1. El cebador se abre demasiado temprano. 2. El carburador tiene una mezcla muy rica o muy pobre. 	<ol style="list-style-type: none"> 1. Mueva el cebador a la posición media hasta que el motor funcione suavemente. 2. Comuníquese con un Taller de servicio autorizado.

Manuel du propriétaire Générateur portatif de la série GP

GARANTIE
LIMITÉE
DE 2 ANS



⚠ DANGER!

- ⚠ **GAZ D'ÉCHAPPEMENT MORTELS!** N'utilisez l'appareil qu'à l'EXTÉRIEUR, loin des fenêtres, des portes et des conduits d'aération!
- ⚠ **NON DESTINÉ À DES UTILISATIONS DE MAINTIEN DES FONCTIONS VITALES CRITIQUES.**
- ⚠ **CONSERVEZ ce manuel.** Fournissez ce manuel à tous les opérateurs du générateur.

Table des matières

Introduction	1	Entretien	9
Lire ce manuel au complet	1	3.1 Programme d'entretien	9
Règles de sécurité	1	3.2 Caractéristiques techniques du produit.....	9
Index des normes	3	3.2.1 Caractéristiques techniques du générateur	9
Informations générales	4	3.2.2 Caractéristiques techniques du moteur	9
1.1 Déballage.....	4	3.3 Recommandations générales	10
1.1.1 Boîte d'accessoires.....	4	3.3.1 Entretien du générateur.....	10
1.2 Assemblage.....	4	3.3.2 Pour nettoyer le générateur.....	10
1.2.1 Assemblage de la trousse d'accessoires.....	4	3.3.3 Entretien du moteur	10
Fonctionnement	4	3.3.4 Vérifier le niveau d'huile	10
2.1 Connaître le générateur	4	3.3.5 Changer l'huile.....	10
2.2 Cordons amovibles et fiches de branchement	6	3.3.6 Remplacer la bougie.....	11
2.2.1 Prise de courant double de 120 V c.a., 20 A.....	6	3.3.7 Pare-étincelles.....	11
2.3 Mode d'emploi du générateur	6	3.4 Entretien du filtre à air	11
2.3.1 Mise à la terre du générateur	6	3.5 Jeu des soupapes.....	11
2.3.2 Connecter le générateur au système électrique d'un bâtiment.....	6	3.6 General	11
2.3.3 Connecter des charges électriques	6	3.7 Entreposage à long terme	12
2.4 Ne pas surcharger le générateur.....	7	3.8 Autres conseils pour l'entreposage	12
2.5 Guide de référence des puissances électriques.....	7	Dépannage	13
2.6 Avant de démarrer le générateur.....	7	4.1 Guide de dépannage	13
2.6.1 Ajouter de l'huile de moteur	7		
2.6.2 Ajouter de l'essence.....	8		
2.7 Pour démarrer le moteur	8		
2.8 Arrêter le moteur.....	9		
2.9 Système d'arrêt en cas de niveau d'huile bas.....	9		
2.9.1 Détection d'un niveau d'huile bas	9		

AVERTISSEMENT!

Proposition 65 de l'État de la Californie

L'échappement du moteur et certains de ses composants sont reconnus par l'État de la Californie comme pouvant causer le cancer, des anomalies congénitales ou d'autres problèmes de reproduction.

AVERTISSEMENT!

Proposition 65 de l'État de la Californie

Ce produit contient ou émet des produits chimiques reconnus par l'État de la Californie comme pouvant causer le cancer, des anomalies congénitales ou d'autres problèmes de reproduction.

INTRODUCTION

Nous vous remercions d'avoir acheté ce modèle de Generac Power Systems, Inc. Il s'agit d'un modèle de générateur compact, haute performance, refroidi par air et entraîné par moteur, conçu de manière à fournir l'électricité nécessaire pour faire fonctionner des charges électriques là où le réseau public n'est pas accessible ou lors d'une panne de courant du réseau public.

LIRE CE MANUEL AU COMPLET

Si vous ne comprenez pas une partie du manuel, veuillez communiquer avec le fournisseur agréé le plus proche afin d'obtenir les procédures de démarrage, d'utilisation et d'entretien.

L'opérateur est responsable de faire une utilisation appropriée et sécuritaire de cet équipement. Nous recommandons vivement à l'opérateur de lire ce manuel et de bien comprendre toutes les instructions avant d'utiliser l'équipement. Nous recommandons aussi vivement que les autres utilisateurs soient formés pour pouvoir démarrer et faire fonctionner correctement l'appareil. Cela les prépare à faire fonctionner l'équipement en cas d'urgence.

Le générateur peut être utilisé de manière sécuritaire, efficace et fiable seulement s'il est installé, utilisé et entretenu correctement. Avant d'utiliser ou de faire l'entretien de ce générateur :

- Familiarisez-vous avec tous les codes et règlements locaux, provinciaux et nationaux et conformez-vous-y strictement.
- Étudiez attentivement tous les avertissements se trouvant dans ce manuel et sur le produit.
- Familiarisez-vous avec ce manuel et avec l'appareil.

Le fabricant ne peut pas anticiper toutes les circonstances possibles pouvant être source de danger. Les avertissements de ce manuel, ainsi que ceux qui se trouvent sur les étiquettes et les autocollants fixés sur l'appareil ne préviennent pas tous les risques. Si vous utilisez une procédure, une méthode de travail ou une technique d'utilisation n'étant pas spécifiquement recommandée par le fabricant, veuillez vous assurer de sa sécurité pour les autres. Assurez-vous également que la procédure, la méthode de travail ou la technique d'utilisation ne fait pas en sorte que le générateur devienne non sécuritaire.

LES INFORMATIONS CONTENUES DANS LE PRÉSENT DOCUMENT SONT BASÉES SUR DES APPAREILS EN PRODUCTION AU MOMENT DE LA PUBLICATION. GENERAC SE RÉSERVE LE DROIT DE MODIFIER CE MANUEL À TOUT MOMENT.

Pour consulter la foire aux questions (FAQ) portant sur votre appareil, rendez-vous à l'adresse suivante :

<http://www.generac.com/service-support/faqs>.

RÈGLES DE SÉCURITÉ

Des encarts DANGER, AVERTISSEMENT, MISE EN GARDE et REMARQUE apparaissent ponctuellement dans cette publication ainsi que sur les étiquettes et autocollants fixés sur le générateur pour attirer l'attention du personnel sur des consignes propres à certaines opérations pouvant présenter des risques si elles sont réalisées de manière incorrecte ou inattentive. Veuillez les respecter attentivement. Voici leur définition :

▲ DANGER!

INDIQUE UNE SITUATION OU UNE ACTION DANGEREUSE QUI, SI ELLE N'EST PAS ÉVITÉE, ENTRAÎNERA LA MORT OU DES BLESSURES GRAVES.

▲ AVERTISSEMENT!

Indique une situation ou une action dangereuse qui, si elle n'est pas évitée, pourrait entraîner la mort ou des blessures graves.

▲ MISE EN GARDE!


Indique une situation ou une action dangereuse qui, si elle ne peut être évitée, risque d'entraîner des blessures légères ou moyennement graves.

REMARQUE :

Les remarques contiennent des informations supplémentaires importantes à propos des procédures et sont intégrées au corps du texte de ce manuel.

Ces avertissements en matière de sécurité ne peuvent éliminer les dangers qu'ils décrivent. Le bon sens et un respect strict des consignes sont essentiels afin de prévenir les accidents lors de l'utilisation ou de l'entretien de l'équipement.

Quatre symboles de sécurité communément utilisés accompagnent les encarts **DANGER**, **AVERTISSEMENT** et **MISE EN GARDE**. Voici les informations indiquées par chacun de ceux-ci :

 **Ce symbole fournit des informations de sécurité importantes qui, si elles ne sont pas suivies, pourraient mettre en danger la sécurité des personnes ou les biens d'autrui.**

 **Ce symbole indique un risque potentiel d'explosion.**

 **Ce symbole indique un risque potentiel d'incendie.**

 **Ce symbole indique un risque potentiel de décharge électrique.**



RISQUES GÉNÉRAUX

- Ne faites JAMAIS fonctionner cet appareil dans un espace clos, dans un véhicule ou à l'intérieur, MÊME SI les portes et fenêtres sont ouvertes.
- Pour des raisons de sécurité, le fabricant recommande que l'entretien de cet équipement soit effectué par un fournisseur agréé. Inspectez régulièrement le générateur et communiquez avec le fournisseur agréé le plus proche pour les pièces nécessitant une réparation ou un remplacement.
- Ne faites fonctionner le générateur que sur une surface de niveau et dans un lieu où il ne sera pas exposé à l'humidité excessive, à la saleté, à la poussière ou à des vapeurs corrosives.
- Gardez les mains, les pieds, les vêtements, etc., loin des courroies d'entraînement, des ventilateurs et des autres pièces mobiles. N'enlevez jamais les grilles de protection ou les écrans protecteurs des ventilateurs pendant le fonctionnement de l'appareil.
- Certaines pièces du générateur deviennent extrêmement chaudes pendant son fonctionnement. Pour éviter des brûlures sévères, tenez-vous à l'écart du générateur jusqu'à son refroidissement.
- Ne faites PAS fonctionner le générateur sous la pluie.
- Ne modifiez pas la construction du générateur et ne changez pas les commandes, car cela pourrait entraîner des conditions d'utilisation dangereuses.
- Ne faites jamais démarrer ou arrêter cet appareil lorsque des charges électriques sont connectées aux prises ET que les appareils connectés sont sous tension. Démarrez le moteur et laissez-le se stabiliser avant de connecter des charges électriques. Déconnectez toutes les charges électriques avant d'arrêter le générateur.
- N'insérez pas d'objets à travers les fentes de refroidissement de l'appareil.
- Restez vigilant en tout temps pendant l'entretien ou la réparation de cet appareil. Ne travaillez jamais sur l'équipement en cas de fatigue physique ou mentale.
- N'utilisez jamais le générateur ni aucune de ses parties en guise de marchepied. Mettre un pied sur l'appareil peut exercer une contrainte sur les pièces et les briser et peut entraîner des conditions d'utilisation dangereuses en raison de fuites de gaz d'échappement, de carburant, d'huile, etc.

REMARQUE :

Ce générateur est muni d'un silencieux pare-étincelles. Pour que le pare-étincelles fonctionne de manière efficace, le propriétaire ou l'opérateur doit entretenir celui-ci correctement. Dans l'État de Californie, un pare-étincelles est requis par la loi (article 4442 du Code des ressources publiques). Des lois semblables pourraient être en vigueur dans d'autres États. Les lois fédérales s'appliquent sur les terrains sous juridiction fédérale.


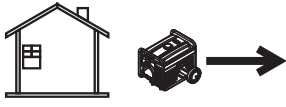
RISQUES RELATIFS À L'ÉCHAPPEMENT ET À L'EMPLACEMENT

- Ne faites jamais fonctionner le générateur dans un lieu clos ou à l'intérieur! N'utilisez JAMAIS le générateur à l'intérieur de la maison, dans un véhicule ou dans un endroit partiellement clos comme un garage, MÊME SI les portes et fenêtres sont ouvertes! Utilisez le générateur SEULEMENT à l'extérieur, à l'écart des fenêtres ouvertes, des portes et des conduits d'aération et dans un endroit où les gaz d'échappement mortels ne peuvent s'accumuler.

⚠ DANGER

L'utilisation d'un générateur à l'intérieur peut **TUER UNE PERSONNE EN QUELQUES MINUTES.**

L'échappement du générateur contient du **monoxyde de carbone.** Il s'agit d'un poison invisible et inodore.

 N'utilisez JAMAIS cet appareil à l'intérieur d'une maison ou d'un garage, MÊME si les portes et les fenêtres sont ouvertes.	 N'utilisez l'appareil qu'à l'EXTÉRIEUR, loin des fenêtres, des portes et des conduits d'aération.
---	---

- Les gaz d'échappement du moteur contiennent du monoxyde de carbone, un gaz que vous ne pouvez ni voir ni sentir. Ce gaz dangereux, s'il est respiré à des concentrations suffisantes, peut provoquer une perte de conscience ou même la mort.
- Un flux continu d'air de refroidissement et une ventilation adéquate sont essentiels pour le bon fonctionnement du générateur. Ne modifiez pas l'installation et ne permettez pas le blocage, même partiel, des dispositifs de ventilation, puisque cela peut sérieusement nuire au bon fonctionnement du générateur. Le générateur DOIT être utilisé à l'extérieur.
- Ce système d'échappement doit être entretenu convenablement. Ne faites rien qui pourrait rendre le système d'échappement dangereux ou non conforme aux normes ou aux codes locaux.
- À l'intérieur, utilisez toujours une alarme de monoxyde de carbone alimentée par pile et installée selon les instructions du fabricant.
- Si vous commencez à vous sentir mal, étourdi ou faible après le fonctionnement du générateur, déplacez-vous à l'air frais IMMÉDIATEMENT. Consultez un médecin, car il est possible que vous soyez victime d'une intoxication au monoxyde de carbone.

RISQUES DE DÉCHARGE ÉLECTRIQUE

- Pendant son fonctionnement, le générateur produit des tensions dangereusement élevées. Pendant que l'appareil est en marche, évitez tout contact avec les fils dénudés, les bornes, les connexions, etc., même sur l'équipement connecté au générateur. Assurez-vous que tous les couvercles, les protections et les barrières appropriés sont en place avant d'utiliser le générateur.
- Ne touchez jamais un appareil ou un cordon électrique en étant debout sur un sol mouillé, pieds nus ou avec les mains ou les pieds mouillés. **UNE DÉCHARGE ÉLECTRIQUE DANGEREUSE PEUT SE PRODUIRE.**
- Le National Electrical Code (NEC) exige que le cadre et les pièces externes électriquement conductrices du générateur soient reliés à une mise à la terre réglementaire. Les codes de l'électricité locaux peuvent aussi exiger que le générateur soit mis à la terre de façon appropriée. Consultez un électricien de votre région pour connaître les exigences qui s'y appliquent en matière de mise à la terre.
- Dans tout lieu humide ou à forte conductivité (comme les terrasses en métal ou les ouvrages métalliques), utilisez un disjoncteur de fuite à la terre.
- N'utilisez pas de cordons d'alimentation amovibles usés, dénudés, effilochés ou endommagés de quelque manière que ce soit avec le générateur.
- Avant d'effectuer tout entretien sur le générateur, déconnectez la batterie de démarrage du moteur (si le modèle en est équipé) afin de prévenir un démarrage accidentel. Déconnectez le câble de la borne de la batterie marquée comme NÉGATIVE, NEG ou (-) en premier. Reconnectez ce câble en dernier.
- En cas d'accident causé par une décharge électrique, couper immédiatement la source d'énergie électrique. Si cela n'est pas possible, essayez de libérer la victime du conducteur sous tension. **ÉVITER TOUT CONTACT DIRECT AVEC LA VICTIME.** Utilisez un outil non conducteur, comme une corde ou une planche, pour libérer la victime du conducteur sous tension. Si la victime est inconsciente, lui administrer les premiers soins et obtenir de l'aide médicale immédiatement.

RISQUES D'INCENDIE

- L'essence est une substance hautement **INFLAMMABLE** et ses vapeurs sont **EXPLOSIVES**. Ne laissez personne fumer à proximité pendant que vous manipulez de l'essence et tenez-vous loin des flammes nues, des étincelles et de la chaleur.
- N'ajoutez jamais de carburant pendant que l'appareil fonctionne ou lorsqu'il est chaud. Laissez refroidir complètement le moteur avant d'ajouter du carburant.
- **Ne remplissez jamais le réservoir de carburant à l'intérieur.** Conformez-vous à toutes les lois relatives à l'entreposage et à la manipulation de l'essence.
- **Ne remplissez jamais le réservoir de carburant à ras bord. Laissez toujours de l'espace pour l'expansion du carburant.** Si le réservoir est trop rempli, le carburant pourrait déborder sur un moteur chaud et provoquer un **INCENDIE** ou une **EXPLOSION**. Lorsque le réservoir contient du carburant, n'entreposez jamais le générateur dans un lieu où les vapeurs d'essence pourraient atteindre une flamme nue, une étincelle ou une veilleuse (comme celles que l'on retrouve sur les appareils de chauffage, les chauffe-eau et les sèche-linge). Cela pourrait provoquer un **INCENDIE** ou une **EXPLOSION**. Laissez refroidir complètement l'appareil avant de l'entreposer.

- Essayez immédiatement tout déversement de carburant ou d'huile. Assurez-vous de ne laisser aucune matière combustible sur le générateur ou à proximité de celui-ci. Gardez la zone entourant le générateur propre et exempte de débris et gardez un espace libre de cinq (5) pieds de chaque côté pour permettre une bonne ventilation du générateur.
- N'insérez pas d'objets à travers les fentes de refroidissement de l'appareil.
- **Ne faites pas fonctionner le générateur si les appareils électriques qui y sont connectés surchauffent, s'il y a des pertes d'électricité, si le moteur ou le générateur produit des étincelles ou si des flammes ou de la fumée se dégagent pendant le fonctionnement de l'appareil.**
- Gardez un extincteur près du générateur à tout moment.

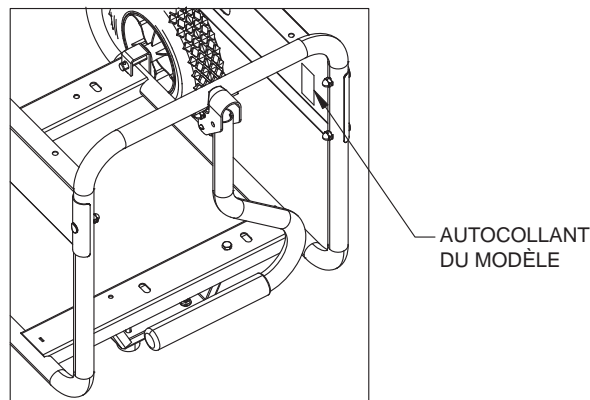
INDEX DES NORMES

1. National Fire Protection Association (NFPA) 70 : NATIONAL ELECTRIC CODE (NEC), consultable au www.nfpa.org
2. National Fire Protection Association (NFPA) 5000 : BUILDING CONSTRUCTION AND SAFETY CODE, consultable au www.nfpa.org
3. International Building Code, consultable au www.iccsafe.org
4. Agricultural Wiring Handbook consultable au www.nerc.org, Rural Electricity Resource Council P.O. Box 309 Wilmington, OH 45177-0309
5. ASAE EP-364.2 Installation and Maintenance of Farm Standby Electric Power, consultable au www.asabe.org, American Society of Agricultural & Biological Engineers 2950 Niles Road, St. Joseph, MI 49085

Cette liste n'est pas exhaustive. Vérifiez auprès d'une autorité compétente s'il existe des normes et des codes locaux qui pourraient s'appliquer à votre juridiction.

NO DE MODÈLE :	
NO DE SÉRIE :	

Emplacements du n° d'identification de l'appareil



1.1 DÉBALLAGE

- Retirez tout le matériel d'emballage.
- Retirez la boîte d'accessoires.
- Retirez le générateur de la boîte.

1.1.1 BOÎTE D'ACCESSOIRES

Vérifiez l'ensemble du contenu. Si des pièces sont manquantes ou endommagées, composez le 1-888-436-3722 pour trouver un fournisseur agréé.

- 1 - Manuel du propriétaire
- 1 - Huile SAE 30
- 2 - Roues de 7 po
- 1 - Assemblage de la poignée
- 1 - Support pour la poignée
- 1 - Axe de roue
- 1 - Sachet de quincaillerie (contenant les articles suivants) :

2 - Amortisseurs de caoutchouc	7 - Écrous à bride M6
2 - Supports à amortisseurs	2 - Goupilles fendues
2 - Rondelles plates M12	2 - Moyeux
5 - Boulons à bride M6-1 x 40	2 - Boulons à bride M6-1,0 x 16

1.2 ASSEMBLAGE

Le générateur requiert un certain assemblage avant son utilisation. Si un problème survient lors de l'assemblage du générateur, veuillez appeler la ligne d'assistance pour les génératrices au 1-888-436-3722.

1.2.1 ASSEMBLAGE DE LA TROUSSE D'ACCESSOIRES

Les roues sont conçues pour améliorer considérablement la capacité de déplacement du générateur.

REMARQUE :

Les roues ne sont pas conçues pour être utilisées dans la rue.

1. Reportez-vous à la figure 1 et installez les roues comme indiqué.
 - Glissez l'axe à travers les supports du cadre.
 - Glissez le moyeu, la roue et la rondelle plate puis insérez la goupille fendue dans le trou de l'axe de roue.
 - Pliez les languettes de la goupille fendue vers l'extérieur pour la bloquer en place.
2. Reportez-vous à la figure 1 et installez les amortisseurs en caoutchouc comme indiqué.
 - Insérez un boulon M6 dans l'amortisseur en caoutchouc et au bas du support de l'amortisseur. Serrez le boulon à l'aide d'un écrou à bride M6.
 - Installez un boulon M6 dans le cadre du générateur et à travers le dessus du support de l'amortisseur. Serrez le boulon à l'aide d'un écrou à bride M6.
3. Reportez-vous à la figure 2 pour installer l'assemblage de la poignée comme indiqué.
 - Insérez le support de la poignée sur le cadre du générateur et fixez-le à l'aide de deux boulons M6 et de deux écrous à bride M6.
 - Alignez les trous de l'assemblage de la poignée avec les trous du support de la poignée et fixez-les à l'aide d'un boulon M6 et d'un écrou à bride M6.

Pour installer correctement la trousse d'accessoires, les outils suivants sont nécessaires :

- Pincés
- Clé polygonale de 8 mm
- Clé polygonale de 10 mm

Figure 1 – Assemblage de la roue

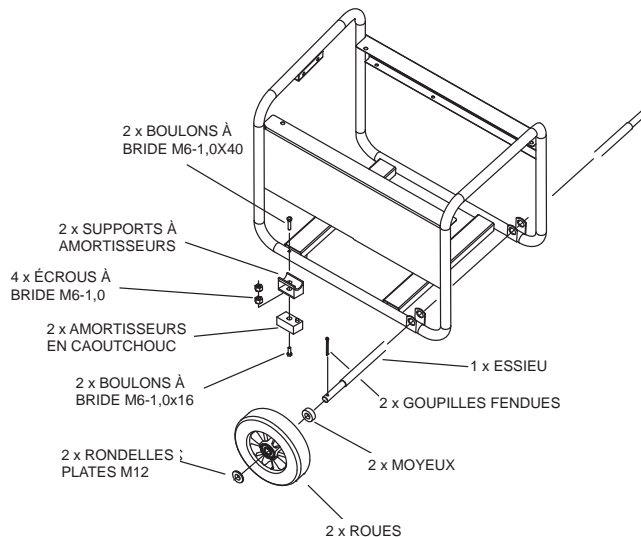
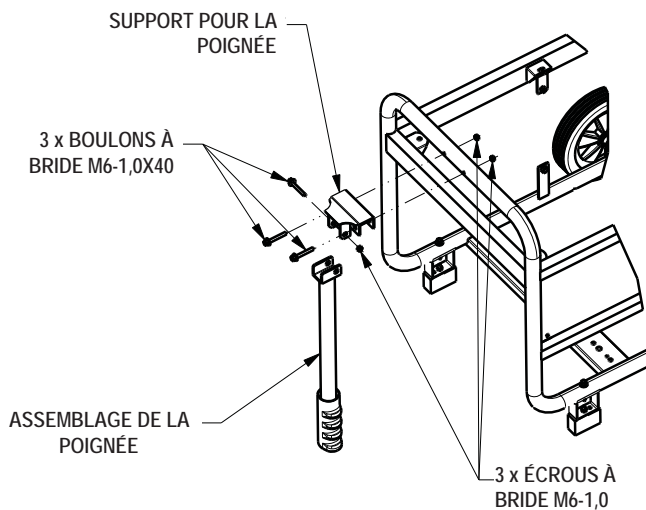


Figure 2 – Kit de la poignée



2.1 CONNAÎTRE LE GÉNÉRATEUR

Veuillez lire le manuel du propriétaire et les règles de sécurité avant d'utiliser ce générateur.

Comparez le générateur aux figures 3 à 6 afin de vous familiariser avec l'emplacement des diverses commandes et différents réglages. Conservez ce manuel pour référence ultérieure.

1. **Prise de courant avec disjoncteur de fuite à la terre de 120 V c.a., 20 A** – Fournit une alimentation électrique de 120 V c.a., 20 A pour une utilisation monophasée, un éclairage électrique de 60 Hz, pour l'appareil, l'outil et les charges de moteur. Elle fournit également une protection grâce à un disjoncteur de fuite à la terre intégré et complet avec bouton « Test » et « Reset ».
2. **Disjoncteurs (CA)** – Chaque prise est munie d'un disjoncteur à bouton-poussoir de 13,5 A afin de protéger le générateur contre les surcharges électriques.
3. **Filtre à air** – Filtre l'air entrant lorsqu'il est tiré dans le moteur.
4. **Bouton de l'étrangleur** – À utiliser lorsque le moteur est démarré à froid.

5. **Réservoir de carburant** – Le réservoir contient 4 gallons US de carburant.
6. **Cosse de mise à la terre** – Pour mettre à la terre le générateur sur une terre approuvée. Consultez la section « Mise à la terre du générateur » pour de plus amples informations.
7. **Interrupteur ON/OFF** – Contrôle le fonctionnement du générateur.
8. **Silencieux** – Réduit le bruit du moteur.
9. **Poignée** – Faire pivoter et retirer pour l'entreposage.
10. **Bouchon du réservoir à essence** – Emplacement pour le remplissage de carburant.
11. **Jauge de carburant** - Indique le niveau de carburant dans le réservoir.
12. **Vérification et remplissage d'huile** – Vérifier l'huile et faire le remplissage à cet endroit.
13. **Lanceur à rappel** – À utiliser pour démarrer le moteur manuellement.
14. **Robinet d'arrêt de carburant** – Robinet situé entre le réservoir de carburant et le carburateur.
15. **Bouchon de vidange d'huile** – Utilisé pour vidanger l'huile du moteur.
16. **Pare-étincelles** – Réduit les risques d'incendie en retenant les étincelles.
17. **Robinet mobile** – Transmet les vapeurs de carburant au réservoir à charbon actif.
18. **Réservoir à charbon actif** – Absorbe les vapeurs du réservoir de carburant.
19. **Tuyau de récupération** – Installé entre les articles 17 et 18.

Figure 3 - Tableau de commande



Figure 4 - Commandes du générateur



Figure 5 - Commandes du générateur



Figure 6 - Commandes du générateur



2.2 CORDONS AMOVIBLES ET FICHES DE BRANCHEMENT

2.2.1 120 V C.A., 20 AMPÈRES, PRISE DOUBLE

Ceci est une sortie de 120 volts protégée contre les surcharges à l'aide d'un disjoncteur à bouton-poussoir de 13,5 A (figure 6). 13,5 ampères de courant peuvent être tirés de chaque prise, mais la puissance totale tirée doit être maintenue à l'intérieur des valeurs de la plaque signalétique. N'utilisez que des cordons d'alimentation amovibles à trois fils avec mise à la terre, de bonne qualité, bien isolés et dont la tension nominale est d'au moins 125 volts à 20 ampères.

2.3 COMMENT UTILISER LE GÉNÉRATEUR

Si un problème survient lors de l'utilisation du générateur, veuillez appeler la ligne d'assistance pour les générateurs au 1-888-436-3722.

⚠ DANGER!

⚠ **Ne faites jamais fonctionner le générateur dans un lieu clos ou à l'intérieur! N'utilisez JAMAIS le générateur à l'intérieur de la maison, dans un véhicule ou dans un endroit partiellement clos comme un garage, MÊME SI les portes et fenêtres sont ouvertes! Utilisez le générateur SEULEMENT à l'extérieur, à l'écart des fenêtres ouvertes, des portes et des conduits d'aération et dans un endroit où les gaz d'échappement mortels ne peuvent s'accumuler.**

⚠ **Les gaz d'échappement du moteur contiennent du monoxyde de carbone, un gaz que vous ne pouvez ni voir ni sentir. Ce gaz dangereux, s'il est respiré à des concentrations suffisantes, peut provoquer une perte de conscience ou même la mort.**


⚠ **Un flux continu d'air de refroidissement et de ventilation adéquat et non obstrué est essentiel pour le bon fonctionnement du générateur. Ne modifiez pas l'installation et ne permettez pas le blocage, même partiel, des dispositifs de ventilation, puisque cela peut sérieusement nuire au bon fonctionnement du générateur. Le générateur DOIT être utilisé à l'extérieur.**

⚠ **Ce système d'échappement doit être entretenu convenablement. Ne faites rien qui pourrait rendre le système d'échappement dangereux ou non conforme aux normes ou aux codes locaux.**

⚠ **Utilisez toujours une alarme de monoxyde de carbone à pile à l'intérieur, installé conformément aux instructions du fabricant.**

⚠ DANGER

L'utilisation d'un générateur à l'intérieur peut TUER UNE PERSONNE EN QUELQUES MINUTES.
L'échappement du générateur contient du monoxyde de carbone. Il s'agit d'un poison invisible et inodore.

 <p style="font-size: x-small;">N'utilisez JAMAIS cet appareil à l'intérieur d'une maison ou d'un garage, MÊME si les portes et les fenêtres sont ouvertes.</p>	 <p style="font-size: x-small;">N'utilisez l'appareil qu'à l'EXTÉRIEUR, loin des fenêtres, des portes et des conduits d'aération.</p>
--	--

2.3.1 MISE À LA TERRE DU GÉNÉRATEUR

Ce générateur est muni d'une mise à la terre qui relie les composantes du cadre du générateur aux bornes de terre sur les prises de courant alternatif (pour les explications, voir le NEC, 250.34 (A)). Cela permet d'utiliser le générateur de manière portative sans avoir à mettre à la terre le cadre du générateur comme il l'est spécifié dans le NEC, 250.34.

2.3.1.1 EXIGENCES SPÉCIALES

Des règlements de l'Occupational Safety and Health Administration (OSHA), des codes locaux ou des ordonnances pourraient s'appliquer à l'usage prévu du générateur.

Veuillez consulter un électricien qualifié, un inspecteur en électricité ou l'agence locale compétente.

Dans certaines régions, les générateurs doivent être enregistrés auprès des entreprises locales de réseau public.

Si le générateur est utilisé sur un chantier de construction, des règlements supplémentaires pourraient s'appliquer.

2.3.2 CONNECTER LE GÉNÉRATEUR AU SYSTÈME ÉLECTRIQUE D'UN BÂTIMENT

Il est recommandé d'utiliser un commutateur de transfert manuel lorsque le générateur est connecté directement au système électrique d'un bâtiment. La connexion d'un générateur portatif au système électrique d'un bâtiment doit être effectuée par un électricien qualifié et conformément à tous les codes et toutes les lois nationales et locales en matière d'électricité.

Figure 7 - Mise à la terre du générateur



2.3.3 CONNECTER LES CHARGES ÉLECTRIQUES

NE connectez PAS de charges de 240 V à des prises de 120 V.
NE connectez PAS de charges triphasées au générateur.
NE connectez PAS de charges de 50 Hz au générateur.

- Après le démarrage, laissez le moteur fonctionner quelques minutes afin de lui permettre de se stabiliser et de se réchauffer.
- Branchez et alimentez les charges électriques de 120 ou 240 V c.a., monophasées, de 60 Hz désirées.
- Additionnez la puissance nominale (ou l'intensité nominale) de toutes les charges qui seront connectées en même temps. Le total ne doit pas dépasser (a) la puissance nominale ou l'intensité nominale du générateur ou (b) le calibre du disjoncteur de la prise fournissant l'électricité. Reportez-vous à la section « Ne pas surcharger le générateur ».

2.4 NE PAS SURCHARGER LE GÉNÉRATEUR

Le fait de surcharger un générateur en dépassant sa puissance nominale peut provoquer des dommages au générateur et aux appareils électriques qui y sont connectés. Pour prévenir toute surcharge de l'appareil, respectez les principes suivants :

- Additionnez la puissance nominale de tous les appareils électriques qui seront connectés en même temps. Le total ne doit PAS dépasser la puissance nominale du générateur.
- La puissance nominale des lumières est indiquée sur les ampoules électriques. La puissance nominale des outils, des appareils et des moteurs est généralement indiquée sur une plaque signalétique ou sur un autocollant apposé sur l'appareil.
- Si la puissance nominale de l'appareil, de l'outil ou du moteur n'est pas indiquée, multipliez le nombre de volts par le nombre d'ampères pour déterminer le nombre de watts (volts x ampères = watts).
- Certains moteurs électriques, comme les moteurs à induction, nécessitent environ trois fois plus de watts de puissance pour démarrer que pour fonctionner. Cette demande supplémentaire ne dure que quelques secondes au moment de faire démarrer de tels moteurs. Au moment de sélectionner les appareils électriques à connecter au générateur, assurez-vous de laisser de la place pour cette demande supplémentaire :
 1. Calculez le nombre de watts nécessaires pour faire démarrer le plus gros moteur.
 2. Additionnez à ce nombre la puissance de fonctionnement de toutes les autres charges connectées.

Le Guide de référence des puissances électriques vous aidera à déterminer combien d'appareils le générateur peut faire fonctionner en même temps.

REMARQUE :

Tous les nombres sont approximatifs. Pour les renseignements sur la puissance requise, référez-vous à la plaque signalétique du produit.

2.5 GUIDE DE RÉFÉRENCE DES PUISSANCES ÉLECTRIQUES

Appareil	Puissance de fonctionnement
*Climatiseur (12 000 BTU)	1700
*Climatiseur (24 000 BTU)	3800
*Climatiseur (40 000 BTU)	6000
Chargeur de batterie (20 A)	500
Ponceuse à courroie (3 po)	1000
Scie à chaîne	1200
Scie circulaire (6-1/2 po)	800 à 1000
*Sèche-linge (électrique)	5750
*Sèche-linge (au gaz)	700
*Machine à laver	1150
Cafetière	1750
*Compresseur (1 hp)	2000
*Compresseur (3/4 hp)	1800
*Compresseur (1/2 hp)	1400
Fer à friser	700
*Déshumidificateur	650
Ponceuse à disque (9 po)	1200
Taille-bordures	500
Couverture chauffante	400
Cloueuse électrique	1200
Portée électrique (par élément)	1500
Poêle à frir électrique	1250
*Congélateur	700

*Ventilateur de chaudière (3/5 hp)	875
*Ouvre-porte de garage	500 à 750
Sèche-cheveux	1200
Perceuse à main	250 à 1100
Taille-bordures	450
Clés à chocs	500
Fer à repasser	1200
*Pompe à jet	800
Tondeuse à gazon	1200
Ampoule	100
Four à micro-ondes	700 à 1000
*Réfrigérateur	1100
Brûleur à mazout sur une chaudière	300
Radiateur autonome au mazout (140 000 BTU)	400
Radiateur autonome au mazout (85 000 BTU)	225
Radiateur autonome au mazout (30 000 BTU)	150
*Pistolet à peinture, sans air (1/3 hp)	600
Pistolet à peinture, sans air (portable)	150
Radio	50 à 200
*Réfrigérateur	700
Mijoteuse	200
*Pompe immergée (1-1/2 hp)	2800
*Pompe immergée (1 hp)	2000
*Pompe immergée (1/2 hp)	1500
*Pompe de puisard	800 à 1050
*Scie circulaire à table (10 po)	1750 à 2000
Téléviseur	200 à 500
Grille-pain	1000 à 1650
Tondeuse à fouet	500

* Calculez le triple du nombre de watts indiqué pour le démarrage de ces appareils.

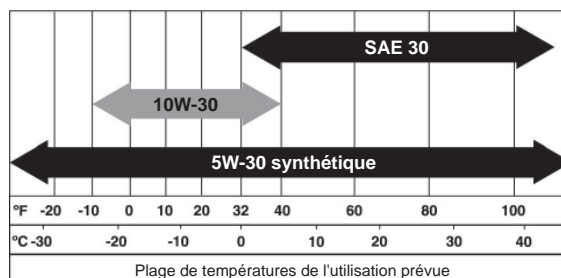
2.6 AVANT DE DÉMARRER LE GÉNÉRATEUR

Avant de faire fonctionner le générateur, ajoutez de l'huile de moteur et de l'essence comme indiqué ci-dessous :

2.6.1 AJOUTER DE L'HUILE DE MOTEUR

L'huile doit satisfaire aux classes d'entretien SJ ou SL de l'American Petroleum Institute (API) ou les dépasser. N'utilisez pas d'additifs spéciaux. Choisissez le degré de viscosité de l'huile en fonction de la température de fonctionnement prévue (voir aussi le tableau).

- Au-dessus de 0 °C (32 °F), utilisez SAE 30
- Entre 4 °C (40 °F) et -32 °C (-10 °F), utilisez 10W-30
- 5W-30 synthétique pour toutes les plages de température



▲ MISE EN GARDE!

⚠ Toute tentative pour lancer ou démarrer le moteur avant qu'il ait fait l'objet d'un entretien adéquat avec l'huile recommandée peut entraîner une panne de moteur.

Fonctionnement

1. Installez le générateur sur une surface de niveau (ne dépassez pas 15° dans aucune direction).
2. Nettoyer l'espace autour de l'orifice de remplissage d'huile et retirez le bouchon de remplissage et la jauge.
3. Essuyez la jauge à l'aide d'un chiffon.
4. Remplissez lentement le moteur d'huile par l'orifice de remplissage d'huile jusqu'à ce que le niveau atteigne la marque « plein » sur la jauge. Interrompez régulièrement le remplissage pour vérifier le niveau d'huile. **Faites attention de ne pas trop remplir le réservoir de carburant.**
5. Remplacez le bouchon et serrez-le fermement à la main.
6. Vérifiez le niveau d'huile du moteur avant chaque démarrage par la suite.

2.6.2 AJOUTER DE L'ESSENCE

⚠ DANGER!

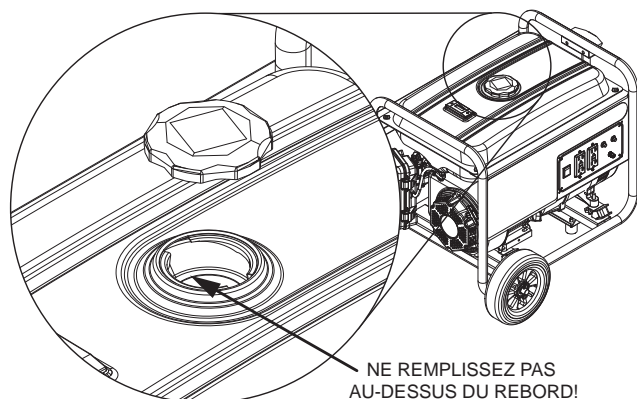
⚠ **Ne remplissez jamais le réservoir de carburant à l'intérieur. Ne remplissez jamais le réservoir de carburant lorsque le moteur fonctionne ou qu'il est chaud. Laissez refroidir complètement le moteur avant de remplir le réservoir de carburant. Évitez de renverser de l'essence sur un moteur CHAUD. N'allumez PAS de cigarette et NE fumez PAS pendant le remplissage du réservoir de carburant. L'essence est hautement inflammable et ses vapeurs sont explosives.**

⚠ MISE EN GARDE!

⚠ **Ne remplissez pas le réservoir de carburant à ras bord. Laissez toujours de l'espace pour l'expansion du carburant. Si le réservoir de carburant est trop rempli, du carburant pourrait déborder sur un moteur CHAUD et provoquer un INCENDIE ou une EXPLOSION.**

1. Utilisez de l'essence ordinaire SANS PLOMB avec le moteur du générateur. N'utilisez aucune essence contenant plus de 10 % d'éthanol ajouté et n'utilisez jamais d'essence E85. Ne mélangez pas de l'huile et de l'essence.
2. Nettoyez la zone entourant le bouchon de l'orifice de remplissage; retirez le bouchon.
3. Ajoutez lentement de l'essence ordinaire sans plomb dans le réservoir de carburant. **Veillez à ne pas le remplir à ras bord** (figure 8).
4. Installez le bouchon du réservoir et essuyez l'essence renversée.

Figure 8 - Réservoir de carburant



IMPORTANT : Il est important d'empêcher la formation de dépôts de gommages dans les parties du circuit d'alimentation comme le carburateur, le tuyau de carburant ou le réservoir de carburant durant l'entreposage. Les mélanges alcool-essence (gasohol, éthanol, méthanol) peuvent attirer l'humidité, ce qui entraîne la séparation et la formation d'acides pendant l'entreposage. Les gaz acides peuvent endommager le circuit d'alimentation d'un moteur pendant qu'il est entreposé. Pour éviter ces problèmes, le circuit d'alimentation doit être vidé avant tout entreposage de 30 jours ou plus. Voir la section « Entreposage ». N'utilisez jamais de produits nettoyants pour le moteur ou le carburateur dans le réservoir de carburant, car cela pourrait endommager celui-ci de façon permanente.

2.7 POUR DÉMARRER LE MOTEUR

⚠ AVERTISSEMENT!

⚠ **Ne faites jamais démarrer et n'arrêtez jamais le moteur lorsque des dispositifs électriques sont connectés aux prises ET que les dispositifs connectés sont en position MARCHÉ.**

1. Débranchez toutes les charges électriques des prises de l'appareil avant de démarrer le moteur.
2. Assurez-vous que l'appareil est bien au niveau (ne pas dépasser 15° dans toutes les directions).
3. Mettez le robinet d'arrêt de carburant à la position « ON » (figure 9).
4. Mettez l'interrupteur ON/OFF du moteur à la position ON (figure 9).
5. Déplacez le levier de l'ÉTRANGLEUR à la position START (figure 10).
6. Pour faire démarrer le moteur, empoignez fermement la poignée du lanceur à rappel et tirez lentement jusqu'à ce que la résistance augmente. Tirez rapidement vers le haut et vers l'extérieur.
7. Après le démarrage du moteur, mettez le levier d'étrangleur en position 1/2-CHOKE jusqu'à ce que le moteur se mette à fonctionner en douceur, puis mettez-le en position RUN. Si le moteur faiblit, remettez le levier d'étrangleur en position 1/2-CHOKE jusqu'à ce que le moteur se mette à fonctionner en douceur, puis mettez-le en position RUN.

REMARQUE :

Si le moteur démarre, mais ne continue pas à tourner, mettez le levier d'étrangleur en position START et répétez les instructions de démarrage.

Figure 9 - Robinet d'arrêt de carburant



Figure 10 - Position « Choke »



IMPORTANT : Ne surchargez pas le générateur. Ne surchargez pas non plus les prises individuelles du tableau. Ces prises sont protégées contre les surcharges par des disjoncteurs à réarmement de type bouton-poussoir. Si l'intensité nominale d'un disjoncteur est dépassée, ce disjoncteur s'ouvre et l'approvisionnement en électricité à cette prise est perdu. Lisez attentivement la section « Ne pas surcharger le générateur ».

2.8 ARRÊTER LE MOTEUR

1. Mettez toutes les charges hors tension, puis débranchez les charges électriques des prises du tableau du générateur. Ne faites jamais démarrer et n'arrêtez jamais le moteur lorsque des dispositifs électriques sont connectés aux prises et que ceux-ci sont en position MARCHE.
2. Laissez le moteur tourner à vide pendant plusieurs minutes pour stabiliser les températures internes du moteur et du générateur.
3. Mettez l'interrupteur ON/OFF en position OFF.
4. Fermez le robinet de carburant.

2.9 SYSTÈME D'ARRÊT EN CAS DE NIVEAU D'HUILE BAS

Le moteur est équipé d'un capteur qui arrête le moteur automatiquement lorsque le niveau d'huile descend au-dessous d'un certain niveau. Si le moteur s'arrête de lui-même et que le réservoir de carburant contient suffisamment d'essence, vérifiez le niveau d'huile du moteur.

2.9.1 DÉTECTION D'UN NIVEAU D'HUILE BAS

Si le système détecte un bas niveau d'huile pendant le fonctionnement, le moteur s'arrête. Le moteur ne repartira pas tant que le niveau d'huile ne sera pas devenu acceptable.

3.1 PROGRAMME D'ENTRETIEN

Suivez les intervalles du calendrier. Un entretien plus fréquent est requis lors d'une utilisation dans les conditions difficiles mentionnées plus bas.

Vérifier le niveau d'huile	À chaque utilisation
Changer l'huile +	*Chaque saison
Vérifier le jeu des soupapes	***Chaque saison
Entretien du filtre à air	**Chaque saison
Remplacer la bougie	Chaque saison

+ Changez l'huile après les 20 premières heures de fonctionnement, puis chaque saison.

* Changez l'huile tous les mois si l'appareil est utilisé avec des charges lourdes ou à des températures élevées.

** Nettoyez plus souvent dans des conditions d'utilisation sales ou poussiéreuses. Remplacez les parties du filtre à air si elles ne peuvent pas être nettoyées adéquatement.

*** Vérifiez le jeu des soupapes et, s'il y a lieu, faites les ajustements nécessaires après les 50 premières heures d'utilisation et toutes les 100 heures par la suite.

3.2 CARACTÉRISTIQUES TECHNIQUES DU PRODUIT

3.2.1 CARACTÉRISTIQUES TECHNIQUES DU GÉNÉRATEUR

Alimentation nominale	3,25 kW**
Surcharge	3,75 kW
Tension nominale c.a.	120
Courant nominal	27 ampères**
Fréquence nominale.....	60 Hz à 3600 tr/min
Phase	Monophasée

** La puissance maximale est sujette à, et peut être limitée par des facteurs tels que la teneur en BTU du carburant, la température ambiante, l'altitude, l'état du moteur, etc. La puissance maximale diminue d'environ 3,5 % pour chaque 1000 pieds au-dessus du niveau de la mer; à partir d'une température ambiante de 16 °C (60 °F), elle diminue aussi d'environ 1 % pour chaque 6 °C (10 °F).

3.2.2 CARACTÉRISTIQUES TECHNIQUES DU MOTEUR

Cylindrée.....	208 cm ³
Type de bougie d'allumage.....	F6TC, NGK BPR4ES ou Champion RN14YC
Écartement de la bougie.....	0,70-0,80 mm (0,028-0,031 po)
Capacité pour l'essence.....	15,14 l (4 gallons US)
Type d'huile	Consultez le tableau de la section « Avant de démarrer le générateur »

Capacité pour l'huile.....	0,6 l (0,634 pinte)
Temps de fonctionnement.....	12,5 heures à 1/2 charge
Plage de température de fonctionnement.....	-17 °C (0 °F) à 43 °C (110 °F) *

* Lorsqu'il est utilisé à plus de 25 °C (77 °C), il peut y avoir une diminution de la puissance du moteur.

3.3 RECOMMANDATIONS GÉNÉRALES

La garantie du générateur ne couvre pas les objets qui ont été mal utilisés ou mal entretenus par l'utilisateur. Pour bénéficier pleinement de la garantie, l'utilisateur doit entretenir le générateur selon les instructions fournies dans ce manuel.

Certains ajustements devront être effectués périodiquement afin d'entretenir adéquatement le générateur.

Tous les ajustements décrits dans la section « Entretien » de ce manuel doivent être faits au moins une fois par saison. Suivez les exigences prescrites dans le « Programme d'entretien ».

REMARQUE :

Remplacez la bougie et le filtre à air une fois par année. Une nouvelle bougie et un filtre à air propre assurent un mélange carburé approprié et font en sorte que votre moteur fonctionne mieux et dure plus longtemps.

3.3.1 ENTRETIEN DU GÉNÉRATEUR

L'entretien du générateur consiste à garder celui-ci propre et sec. Utilisez et entreposez cet appareil dans un environnement propre où il ne sera pas exposé à la poussière, à la saleté ou à l'humidité excessive ou à des vapeurs corrosives. Les fentes d'air de refroidissement du générateur ne doivent pas être bouchées par la neige, par des feuilles ou par toute autre substance étrangère. Vérifiez régulièrement l'état de propreté du générateur et nettoyez-le lorsque de la poussière, de la saleté, de l'huile, de l'humidité ou toute autre substance étrangère est visible sur sa surface externe.

▲ MISE EN GARDE!

! N'insérez jamais d'outils ou d'objets à travers les fentes d'air de refroidissement, et ce, même lorsque le moteur n'est pas en marche.

REMARQUE :

N'utilisez PAS de boyau d'arrosage pour nettoyer le générateur. De l'eau pourrait pénétrer dans le circuit d'alimentation du moteur et causer des problèmes. En outre, si de l'eau pénètre dans le générateur à travers les fentes d'air de refroidissement, de l'eau pourrait rester prise dans les vides et les fissures de l'isolation du bobinage du rotor et du stator. L'eau et l'accumulation de saleté sur les bobinages internes du générateur réduiront progressivement la résistance d'isolation de ces bobinages.

3.3.2 POUR NETTOYER LE GÉNÉRATEUR

- Utilisez un linge humide pour nettoyer les surfaces extérieures.
- Une brosse douce à poils soyeux peut être utilisée pour dégager la poussière accumulée, l'huile, etc.
- Un aspirateur peut être utilisé pour ramasser la poussière et les débris qui ne sont pas collés.
- De l'air à basse pression (pas plus de 25 psi) peut être utilisé pour souffler la saleté. Inspectez les fentes d'air de refroidissement et les ouvertures du générateur. Ces ouvertures doivent toujours être propres et non obstruées.

3.3.3 ENTRETIEN DU MOTEUR

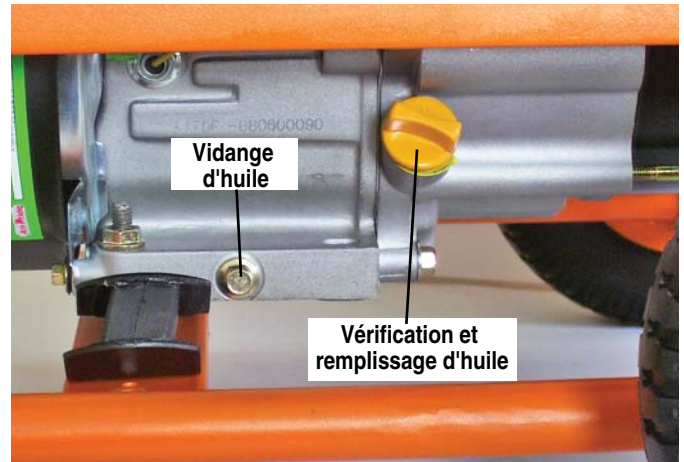
▲ DANGER!

! Débranchez toujours le fil de bougie lorsque vous travaillez sur le générateur et gardez-le à l'écart de la bougie.

3.3.4 VÉRIFIER LE NIVEAU D'HUILE

Voir la section « Avant de démarrer le générateur » pour les informations sur la vérification du niveau d'huile. Le niveau d'huile doit être vérifié avant chaque utilisation, ou au moins toutes les huit heures d'utilisation. Maintenez un niveau d'huile adéquat (figure 11).

Figure 11 - Vidange, vérification et remplissage de l'huile



3.3.5 CHANGER L'HUILE

Changez l'huile après les 20 premières heures de fonctionnement, puis chaque saison. Si l'appareil est utilisé dans un milieu extrêmement sale ou poussiéreux, ou à des températures extrêmement élevées, changez l'huile plus souvent.

▲ MISE EN GARDE!

! L'huile chaude peut causer des brûlures. Laissez refroidir le moteur avant de vidanger l'huile. Évitez les contacts prolongés ou répétés de la peau avec l'huile usagée. Nettoyez soigneusement les régions exposées avec du savon.

Suivez les instructions suivantes pour changer l'huile une fois le moteur refroidi :

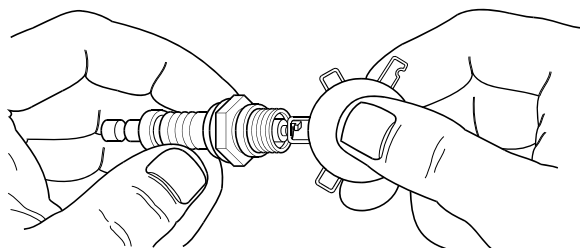
1. Nettoyez la zone autour du bouchon de vidange d'huile.
2. Enlevez le bouchon de vidange d'huile du moteur et le bouchon de l'orifice de remplissage afin de vidanger complètement l'huile dans un contenant approprié.
3. Une fois que l'huile aura été complètement vidangée, installez le bouchon de vidange d'huile et serrez-le fermement.
4. Remplissez le moteur avec l'huile recommandée (voir la section « Avant de démarrer le générateur » pour les recommandations concernant l'huile).
5. Essuyez toute l'huile qui aurait coulé.
6. Éliminez l'huile usagée dans un centre de collecte approprié.

3.3.6 REMPLACER LA BOUGIE

Utilisez une bougie F6TC, NGK BPR4ES ou Champion RN14YC. **Remplacez la bougie une fois par année.** Cela aidera le moteur à démarrer plus facilement et à mieux fonctionner.

1. Arrêtez le moteur et tirez sur le fil de la bougie pour l'enlever.
2. Nettoyez la zone entourant la bougie et enlevez-la de la culasse.
3. Réglez l'écartement de la bougie entre 0,70 mm et 0,80 mm (0,028 et 0,031 po). Insérez la bougie correctement écartée dans la culasse et réglez le couple de serrage à 15 pi-lb (figure 12).

Figure 12 - Écartement de la bougie



3.3.7 PARE-ÉTINCELLES

1. Éteignez le générateur et laissez le moteur et le silencieux refroidir complètement avant de faire l'entretien du pare-étincelles (qui se trouve à l'arrière du silencieux).
2. Enlevez la pince et l'écran pare-étincelles.
3. Nettoyez l'écran pare-étincelles à l'aide d'une petite brosse métallique.
4. Remplacez le pare-étincelles s'il est endommagé.
5. Pour installer l'écran pare-étincelles, faites le processus inverse.

3.4 ENTRETIEN DU FILTRE À AIR

Le moteur ne fonctionnera pas correctement et risque d'être endommagé si le filtre à air est encrassé. Nettoyez le filtre à air une fois par année (figure 13). Nettoyez ou remplacez-le plus souvent si l'appareil fonctionne dans un environnement poussiéreux.

1. Retirez le couvercle du filtre à air.
2. Lavez-le à l'eau savonneuse. Séchez le filtre dans un linge propre (NE LE TORDEZ PAS).
3. Nettoyez le couvercle du filtre à air avant de le réinstaller.

Figure 13 - Filtre à air



3.5 JEU DES SOUPAPES

- Admission — 0,10 mm ± 0,02 mm (froid) (0,004 po ± 0,001 po)
- Échappement — 0,15 mm ± 0,02 mm (froid) (0,006 po ± 0,001 po)

Vérifiez le jeu des soupapes dans le moteur et faites les ajustements nécessaires, s'il y a lieu, après les 50 premières heures d'utilisation.

Important : Si vous n'êtes pas à l'aise pour effectuer cette procédure ou si vous n'avez pas accès aux bons outils, veuillez apporter le générateur au fournisseur de services d'entretien le plus proche pour qu'il fasse lui-même l'ajustement. Il s'agit d'une étape très importante visant à assurer la plus longue vie possible du moteur.

3.6 GÉNÉRAL

Il faut faire démarrer le générateur au moins une fois tous les 30 jours et le laisser fonctionner au moins 30 minutes. S'il est impossible de le faire et que l'appareil doit être entreposé pour plus de 30 jours, suivez les consignes suivantes afin de le préparer pour l'entreposage.

▲ DANGER!

▲ Lorsque le réservoir contient du carburant, n'entreposez JAMAIS le moteur à l'intérieur ou dans un lieu fermé et mal aéré où les vapeurs pourraient atteindre une flamme nue, une étincelle ou une veilleuse (comme celles que l'on retrouve sur les appareils de chauffage, les chauffe-eau, les sèche-linge et les autres appareils qui utilisent du gaz).


3.7 ENTREPOSAGE À LONG TERME

Il est important d'empêcher la formation de dépôts de gommages dans les parties essentielles du circuit d'alimentation comme le carburateur, le tuyau de carburant ou le réservoir de carburant durant l'entreposage. Par ailleurs, il a été démontré que les mélanges alcool-essence (gasohol, éthanol, méthanol) peuvent attirer l'humidité, ce qui entraîne la séparation et la formation d'acides pendant l'entreposage. Les gaz acides peuvent endommager le circuit d'alimentation d'un moteur pendant qu'il est entreposé.

Pour éviter ces problèmes, le circuit d'alimentation doit être vidé comme suit avant tout entreposage de 30 jours ou plus :


1. Retirez toute l'essence du réservoir de carburant. Utilisez un siphon non conducteur vendu dans le commerce.

DANGER!

 **Videz le carburant dans un contenant approuvé, à l'extérieur et hors de portée des flammes nues. Assurez-vous que le moteur est froid. Ne fumez pas.**

2. Démarrez et faites tourner le moteur jusqu'à ce que le moteur s'arrête faute de carburant.
3. Vidangez l'huile du carter du moteur une fois que le moteur est refroidi. Remplissez-le avec une huile de catégorie recommandée.
4. Retirez la bougie et versez environ 15 ml (1/2 oz) d'huile de moteur dans le cylindre. Couvrez l'orifice de la bougie avec un chiffon. Tirez quelques fois sur le lanceur à rappel afin de lubrifier les segments de piston et l'alésage du cylindre.

MISE EN GARDE!

 **Évitez les jets provenant du trou de la bougie lors du lancement du moteur.**

5. Installez et serrez les bougies. Ne connectez pas le fil de bougie.
6. Nettoyez les surfaces extérieures du générateur. Vérifiez que les fentes d'air de refroidissement et les ouvertures sur le générateur sont ouvertes et ne sont pas obstruées.
7. Entreposez l'appareil dans un endroit propre et sec.

3.8 AUTRES CONSEILS POUR L'ENTREPOSAGE

- N'entreposez pas l'essence d'une saison à l'autre.
- Remplacez le contenant d'essence s'il commence à rouiller. La présence de rouille ou de saleté dans l'essence causerait des problèmes au carburateur et au circuit d'alimentation.
- Si possible, entreposez l'appareil à l'intérieur et couvrez-le pour le protéger de la poussière et de la saleté. **VEILLEZ À VIDER LE RÉSERVOIR DE CARBURANT.**
- Si l'appareil doit être entreposé pour une certaine durée et qu'il n'est pas pratique de vider le réservoir de carburant, ajoutez un stabilisateur d'essence vendu dans le commerce au carburant pour augmenter sa durée de vie.
- Couvrez l'appareil d'une housse de protection appropriée qui ne retient pas l'humidité.

DANGER!

 **NE couvrez JAMAIS le générateur alors que le moteur et les zones d'échappement sont chauds.**

4.1 GUIDE DE DÉPANNAGE

PROBLÈME	CAUSE	SOLUTION
Le moteur fonctionne, mais aucune sortie en c.a. n'est libre.	<ol style="list-style-type: none"> 1. Le disjoncteur est ouvert. 2. Mauvaise connexion ou cordon amovible défectueux. 3. Le dispositif branché est défectueux. 4. Panne du générateur. 5. 120V GFCI déclenché (pas de lumière). 	<ol style="list-style-type: none"> 1. Réinitialisez le disjoncteur. 2. Vérifiez et réparez. 3. Connectez un autre dispositif en bon état. 4. Communiquez avec un fournisseur de services d'entretien agréé. 5. Réinitialisez bouton poussoir 120V GFCI (lumière est allumée).
Le moteur fonctionne bien, mais s'enlise quand des charges sont branchées.	<ol style="list-style-type: none"> 1. Court-circuit dans une charge branchée. 2. Le générateur est surchargé. 3. La vitesse du moteur est trop basse. 4. Court-circuit dans le générateur. 	<ol style="list-style-type: none"> 1. Débranchez la charge électrique touchée. 2. Reportez-vous à la section « Ne pas surcharger le générateur ». 3. Communiquez avec un fournisseur de services d'entretien agréé. 4. Communiquez avec un fournisseur de services d'entretien agréé.
Le moteur ne démarre pas, ou il démarre, puis il bafouille.	<ol style="list-style-type: none"> 1. Le filtre à air est encrassé. 2. Manque d'essence. 3. Vieille essence. 4. Le câble de bougie n'est pas branché à la bougie. 5. Bougie défectueuse. 6. Eau dans l'essence. 7. Trop d'étranglement. 8. Niveau d'huile bas. 9. Le mélange combustible est trop riche. 10. La soupape d'admission est bloquée en position ouverte ou fermée. 11. Le moteur a perdu de la compression. 	<ol style="list-style-type: none"> 1. Nettoyez ou remplacez le filtre à air. 2. Remplissez le réservoir de carburant. 3. Vidangez le réservoir de carburant et remplissez-le de carburant neuf. 4. Connectez le câble à la bougie. 5. Remplacez la bougie. 6. Vidangez le réservoir de carburant et remplissez-le de carburant neuf. 7. Mettez la tirette d'étrangleur en position No Choke. 8. Remplissez le carter du moteur jusqu'au niveau approprié. 9. Communiquez avec un fournisseur de services d'entretien agréé. 10. Communiquez avec un fournisseur de services d'entretien agréé. 11. Communiquez avec un fournisseur de services d'entretien agréé.
Le moteur s'éteint lors de l'utilisation.	<ol style="list-style-type: none"> 1. Manque d'essence. 2. Niveau d'huile bas. 3. Panne du moteur. 	<ol style="list-style-type: none"> 1. Remplissez le réservoir de carburant. 2. Remplissez le carter du moteur jusqu'au niveau approprié. 3. Communiquez avec un fournisseur de services d'entretien agréé.
Le moteur manque de puissance.	<ol style="list-style-type: none"> 1. La charge est trop élevée. 2. Le filtre à air est encrassé. 3. Le moteur a besoin d'être entretenu. 	<ol style="list-style-type: none"> 1. Reportez-vous à la section « Ne pas surcharger le générateur ». 2. Remplacez le filtre à air. 3. Communiquez avec un fournisseur de services d'entretien agréé.
La vitesse du moteur oscille, ou celui-ci faiblit.	<ol style="list-style-type: none"> 1. L'étrangleur a été ouvert trop tôt. 2. Le carburateur fonctionne avec un mélange combustible trop riche ou trop pauvre. 	<ol style="list-style-type: none"> 1. Mettez l'étrangleur en position intermédiaire jusqu'à ce que le moteur fonctionne en douceur. 2. Communiquez avec un fournisseur de services d'entretien agréé.

